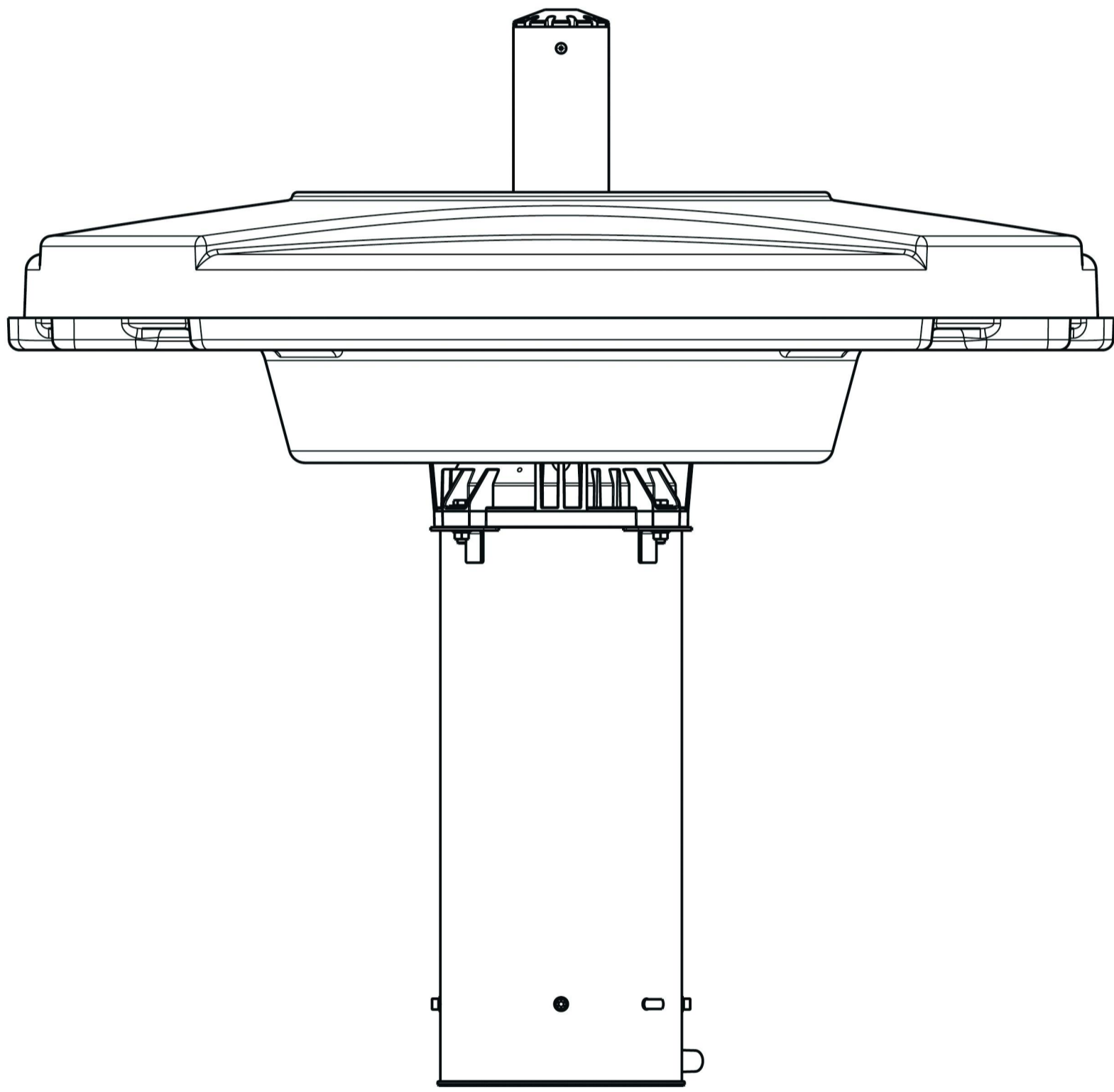


Ø 1030



water-level

740

1000