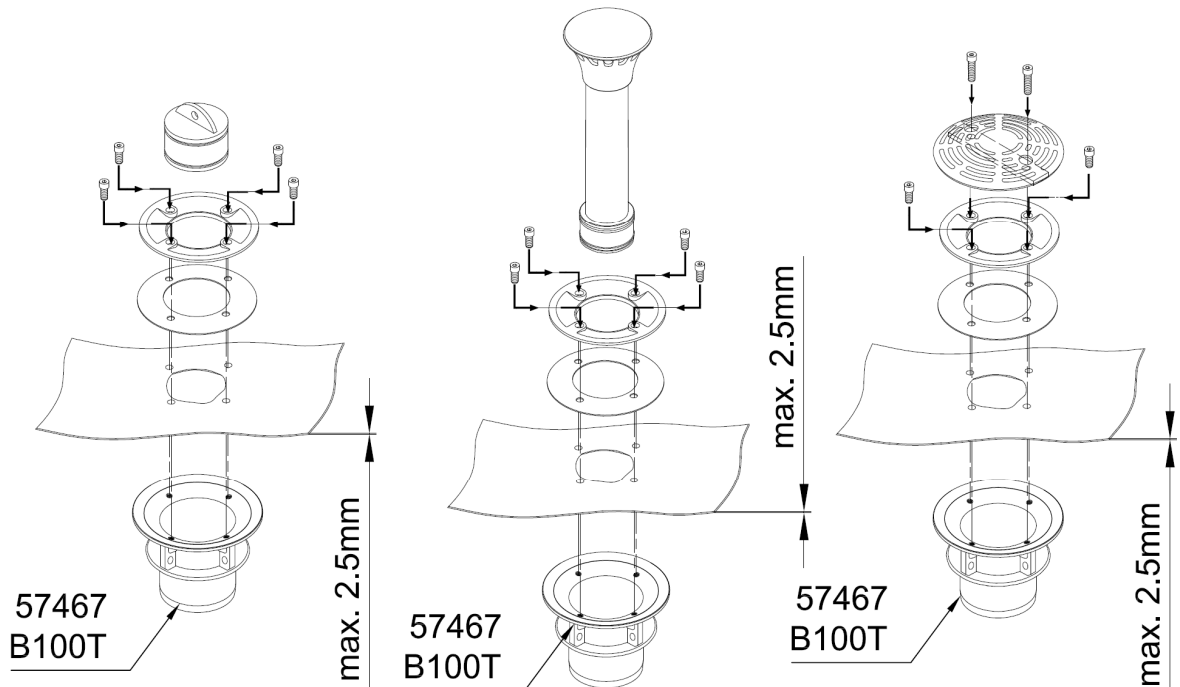
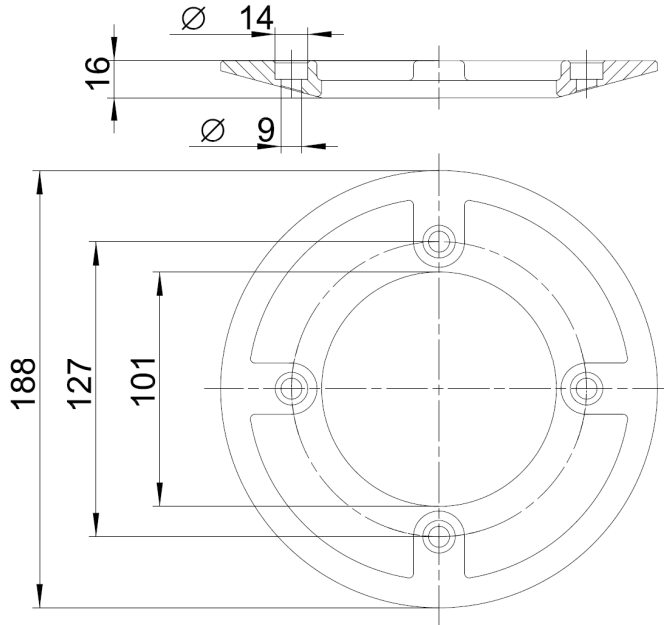
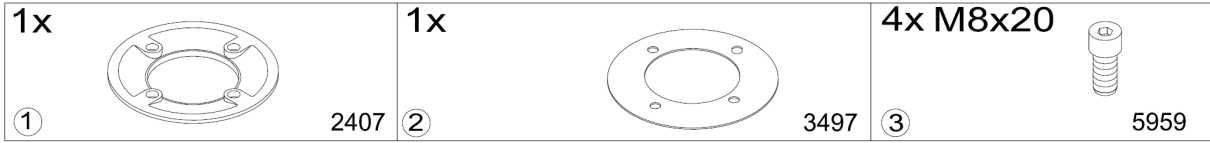


OASE GmbH
 Tecklenburger Straße 161
 D - 48477 Hörstel
 Phone: +49(0)54 54 – 800
 Fax: +49(0)54 54 – 80 322
 info@oase-livingwater.com
 www.oase-livingwater.com

FK 100T

51117



		FK 100 T
Dimensions (ø x H)	[mm]	188 x 35
Designation		liner clamping flange
DN		100
Material		tombac
Weight	[kg]	1.1
Order no.		51117

		FK 100 T
Abmessungen (ø x H)	[mm]	188 x 35
Bezeichnung		Folienklemmflansch
DN		100
Material		Tombac
Gewicht	[in kg]	1,1
Bestell-Nr.		51117

The information contained in this data sheet is the sole property of OASE GmbH. Any reproduction in part or as a whole without the written permission of OASE GmbH is prohibited.