

13,5
mm



PROD.Nr.:

CE

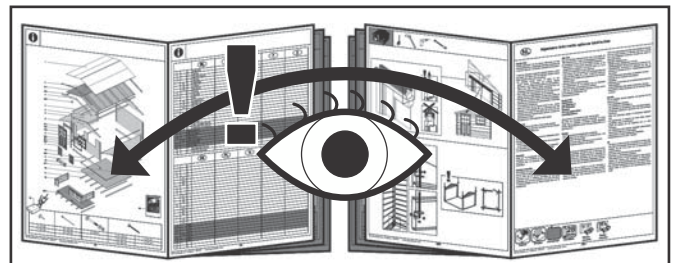
1415

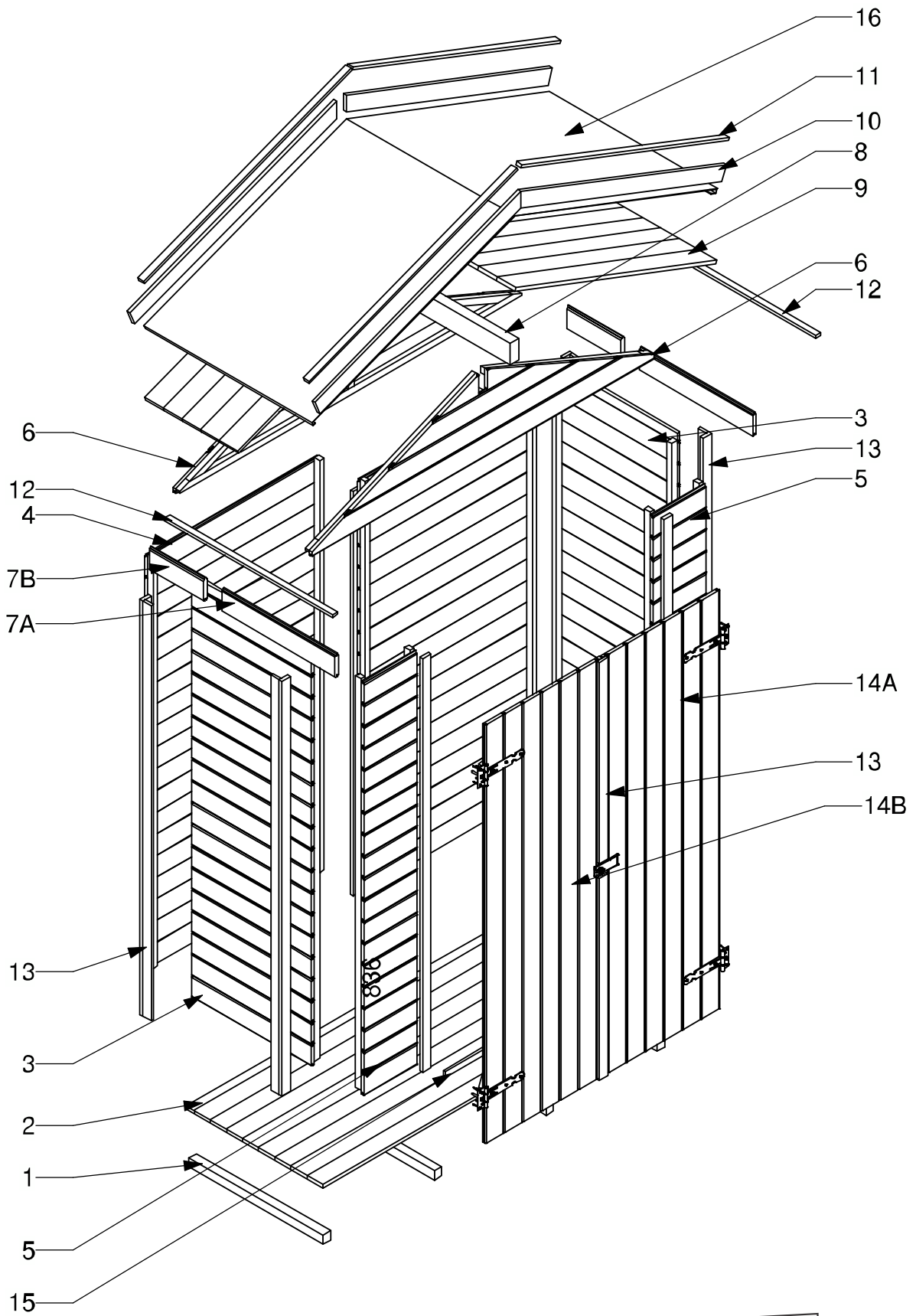
Gartenpro Kft.
9444 Fertőszentmiklós
Soproni úti ipartelep
HUNGARY
16
1415-CPR-43-(C-80/2015)
ETA-15/0873
ETAG 007

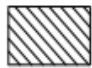

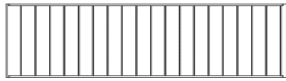
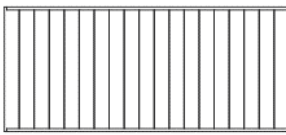










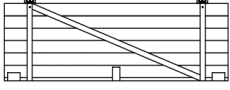
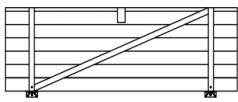




Emmen
Art.Nr. 0714.331
EAN 7611233729267

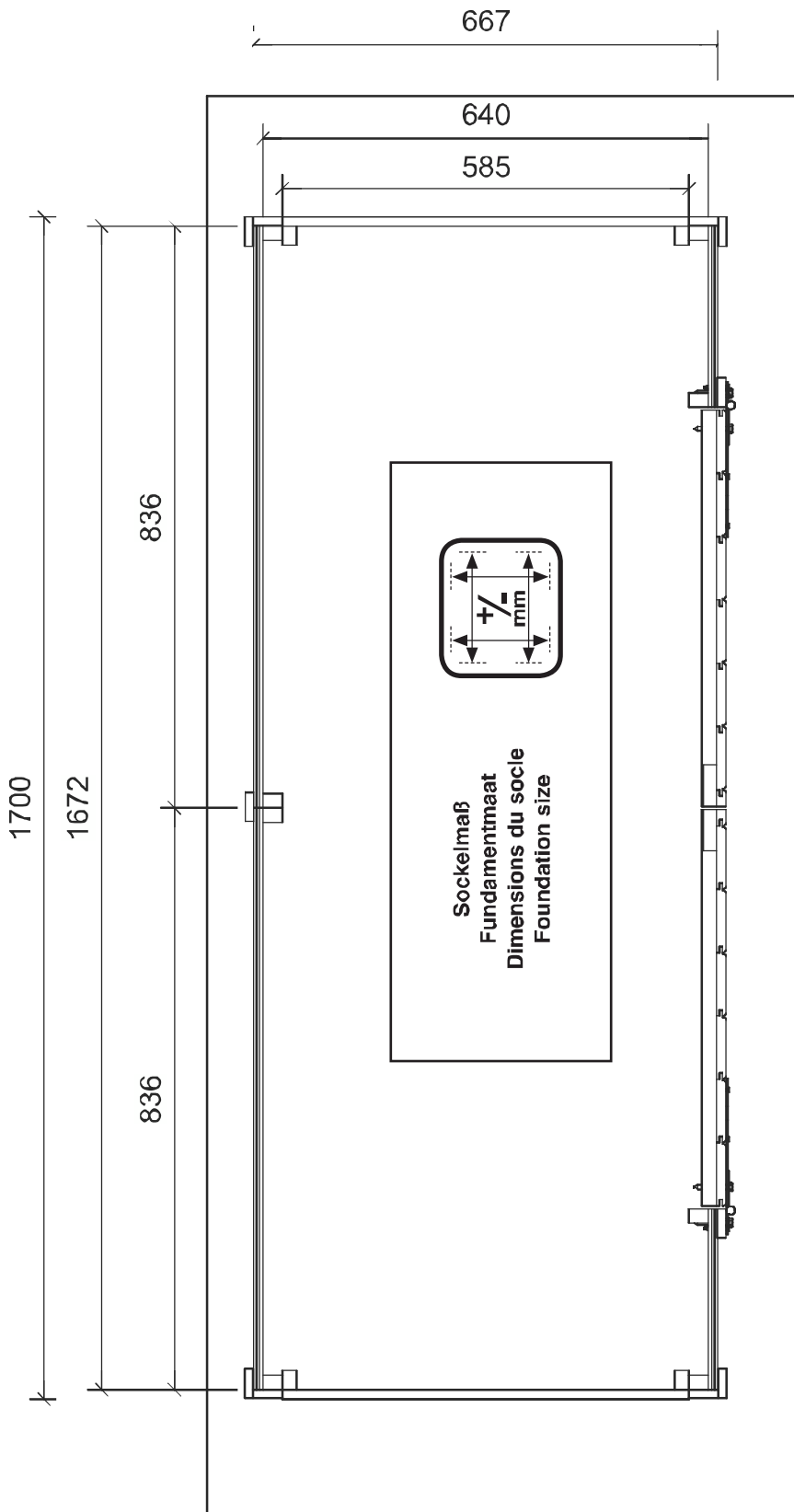


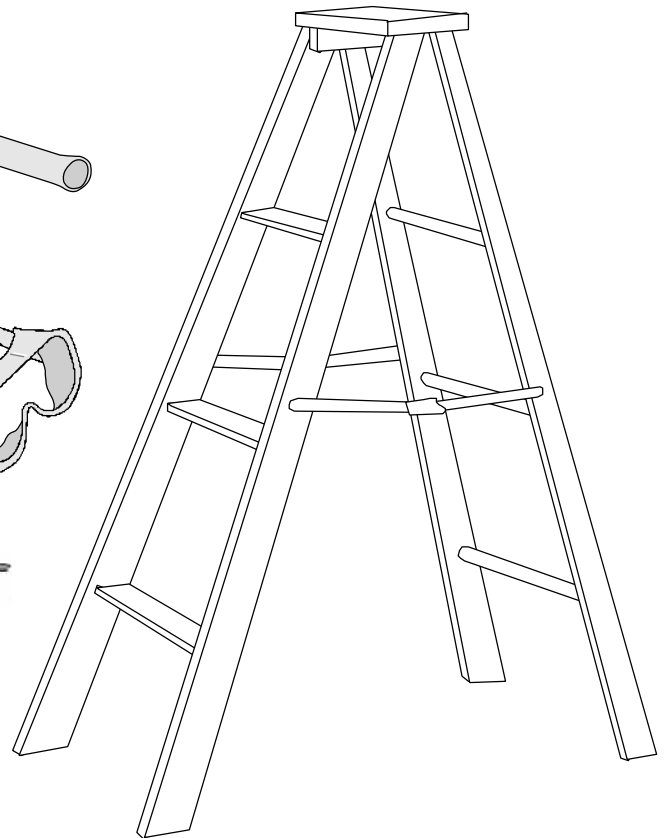
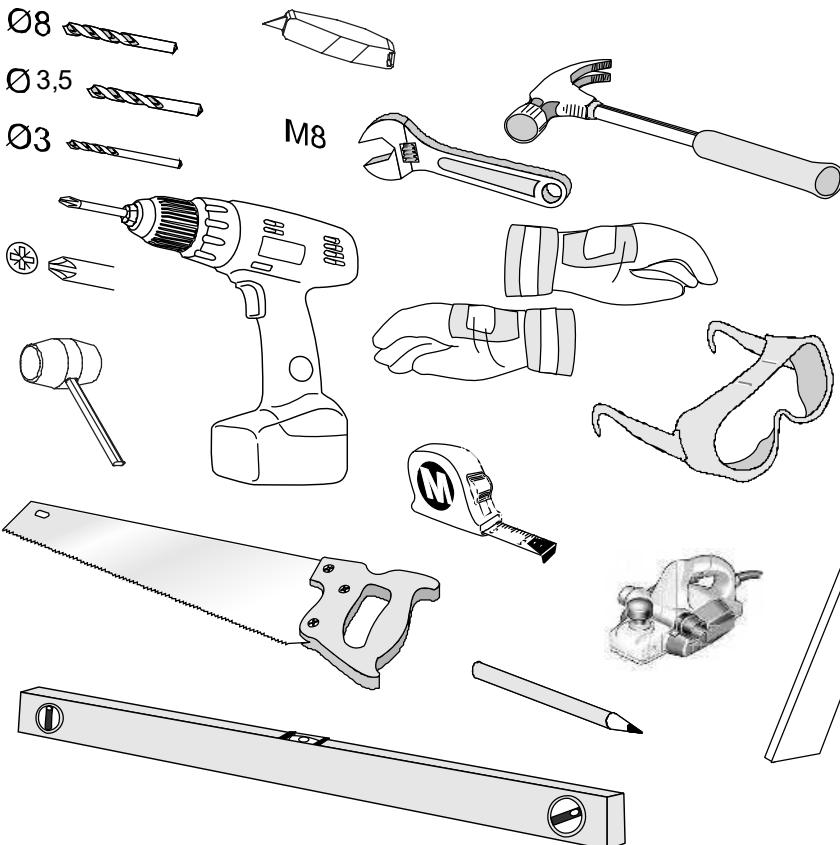
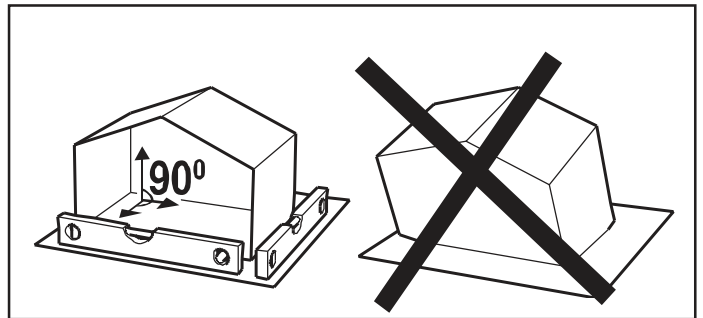
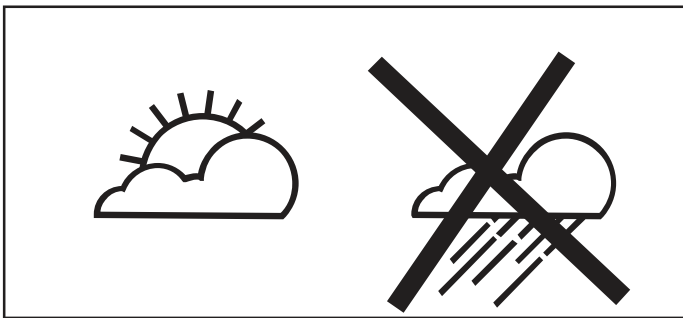
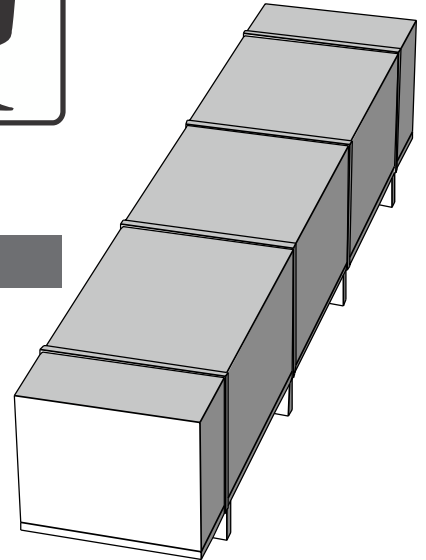
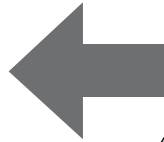
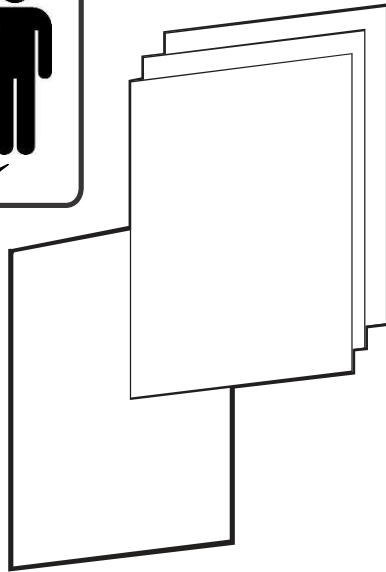
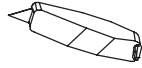
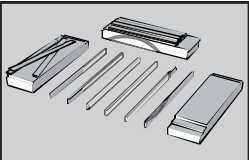
Hout voor Outdoor Life Products blokketten en tuinhuisen is vooral afkomstig uit gecertificeerde en goed beheerde bossen.
Wood used for our Outdoor Life Products cabins and garden houses is mostly sourced from certified and well-managed forests.
Das Holz für Outdoor Life Products Blockcontenähäuser und Gartenhäuser wird größtenteils aus zertifizierten Wäldern bezogen.
Les bois pour chalets et maisons de jardin de Outdoor Life Products proviennent en grande partie de forêts certifiées et gérées durablement.



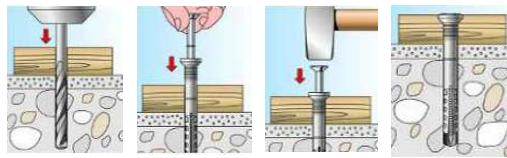
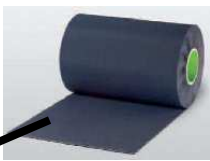
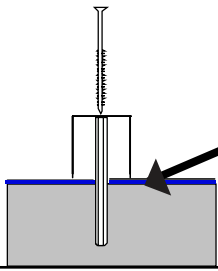
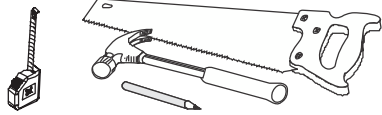


1.	G60148012		38x38x640mm	4X
2.	G2220960		15x99x1672mm	8X
3.	G2221385		585mm	2X
4.	G2221389		836mm	2X
5.	G2223962		260mm	2X
6.	G2223960		364X1672mm	2X
7A	G2220563		18x98x555mm	2X
7B	G2220563		18x98x265mm	2X
8.	G2227279		43x90x820mm	1X
9.	G2220950		15x99x1050mm	20X
10.	G2227246		15x70x1070mm	4X
11.	G60147540		12x26x1070mm	4X
12.	G60147540		12x26x820mm	2X
13.	G2223965		12x42x1770mm	12X
14A.	G2223963		570x1770mm	1X
14B.	G2223964		570x1770mm	1X
15.	G60147540		12x26x1152mm	1X
16.	G2227278		1x2,5m ANTRACITOS	1X
17.	G70611884		SZ. EGER	1 X
18.	G6065190			1 X






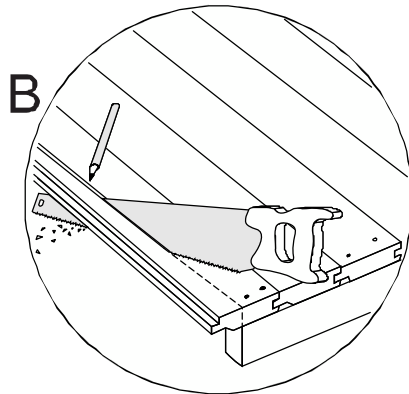
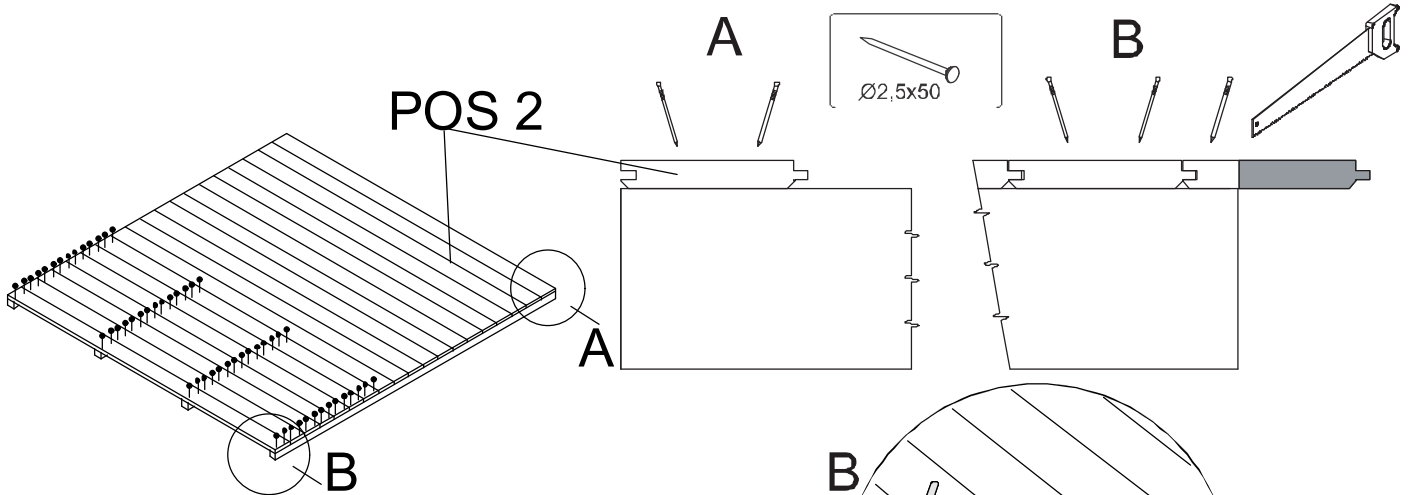
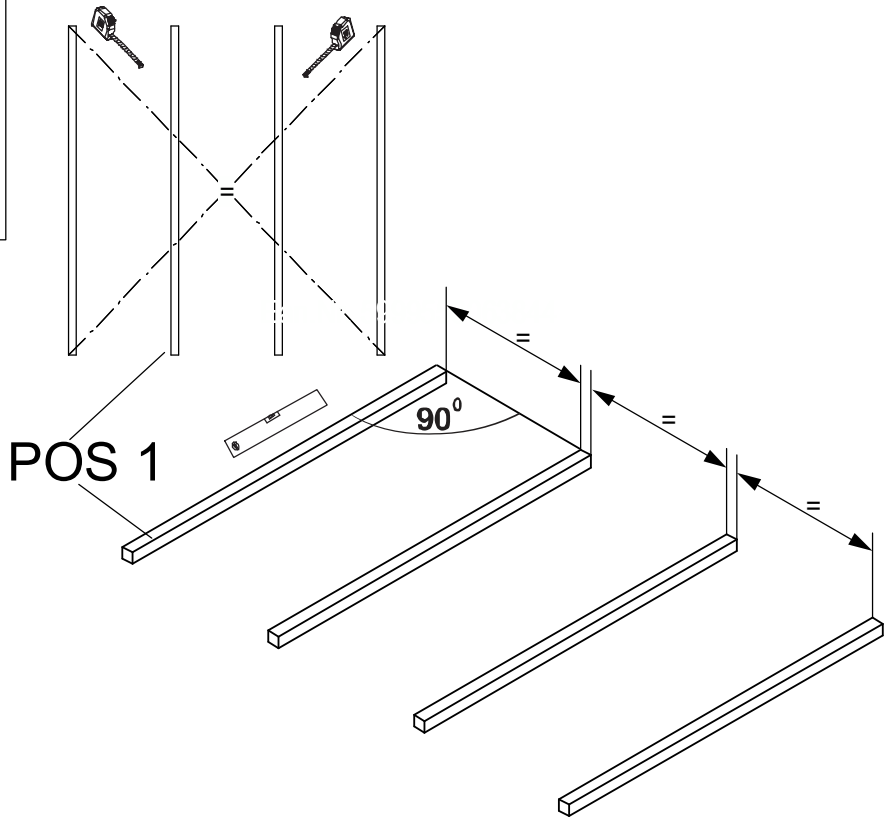
2



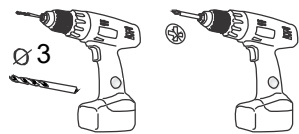
POS

1.  38x38x640 4X

2.  15x99x1672 8X

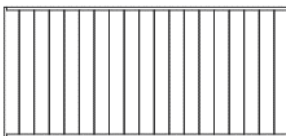



3



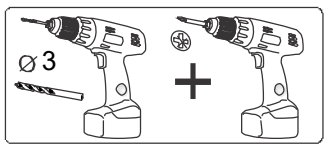
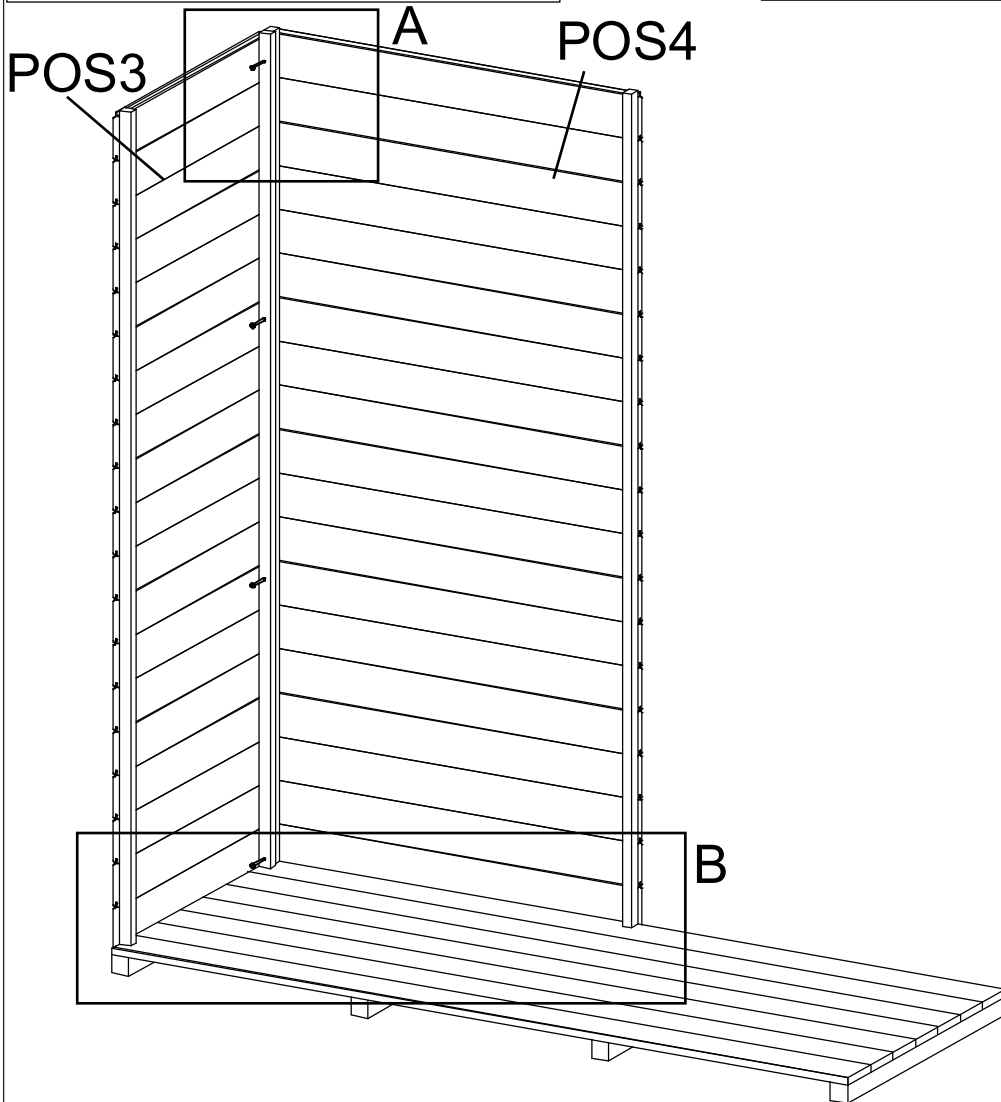
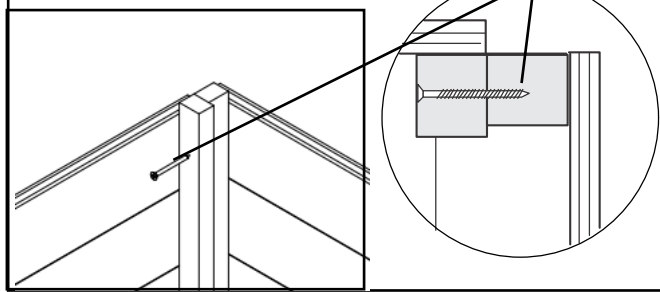
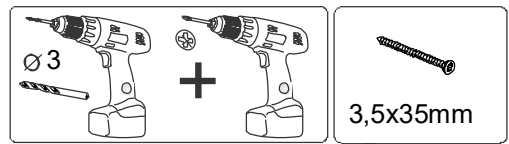
POS


3.  585 1X

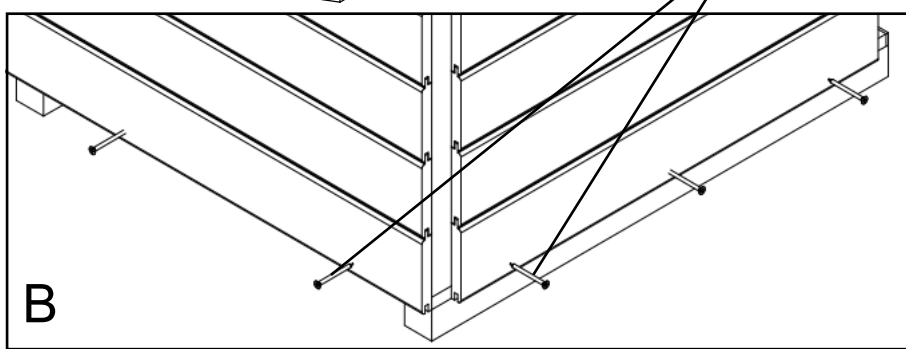
4.  836 1X

 10x
3,5x35mm

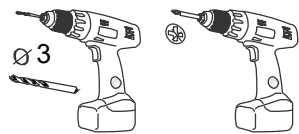
A



 3,5x35mm

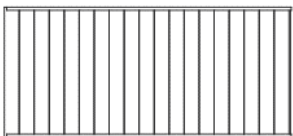



4



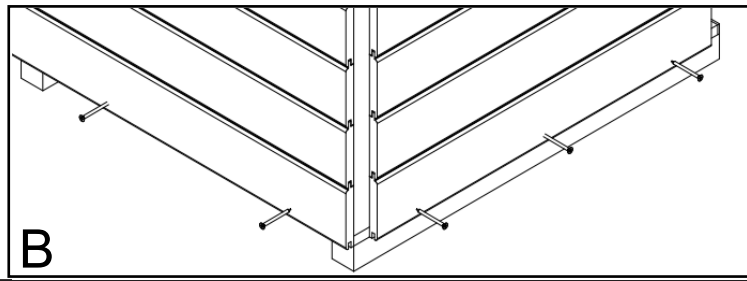
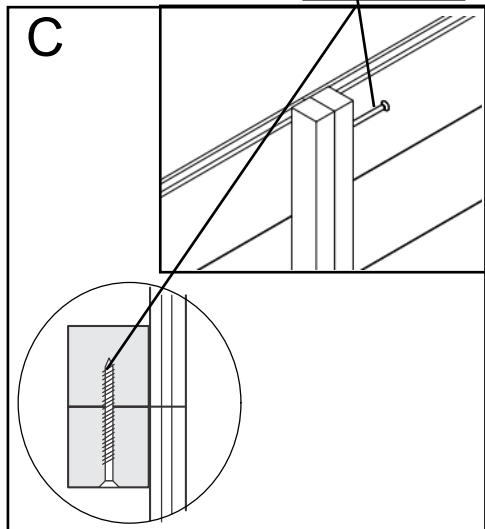
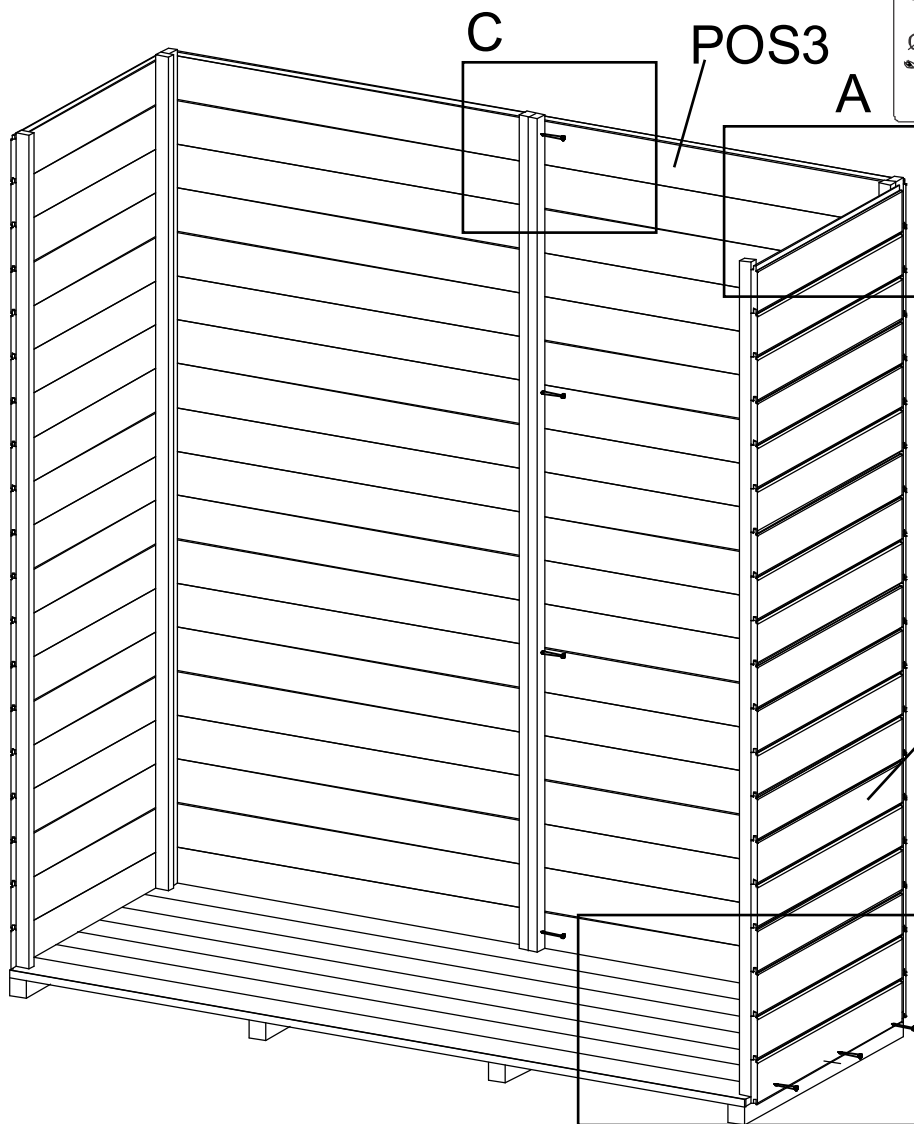
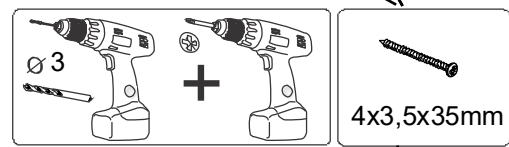
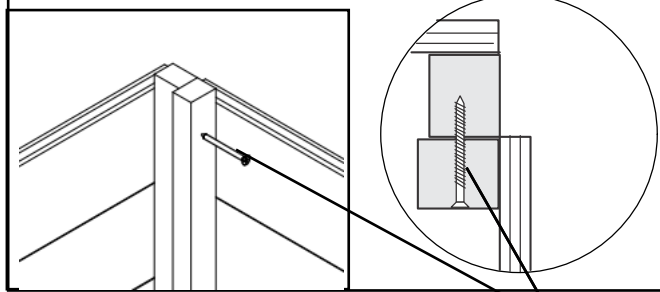
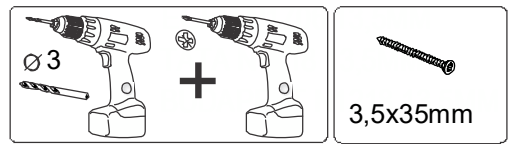
POS

3.  585 1X

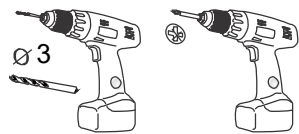
4.  836 1X

 14x
3,5x35mm

A

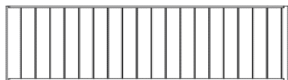


5



POS

5.

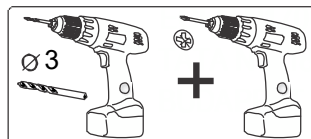


260 2X

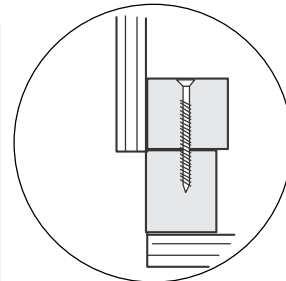
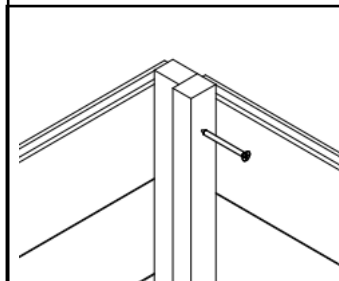
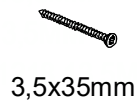


12x

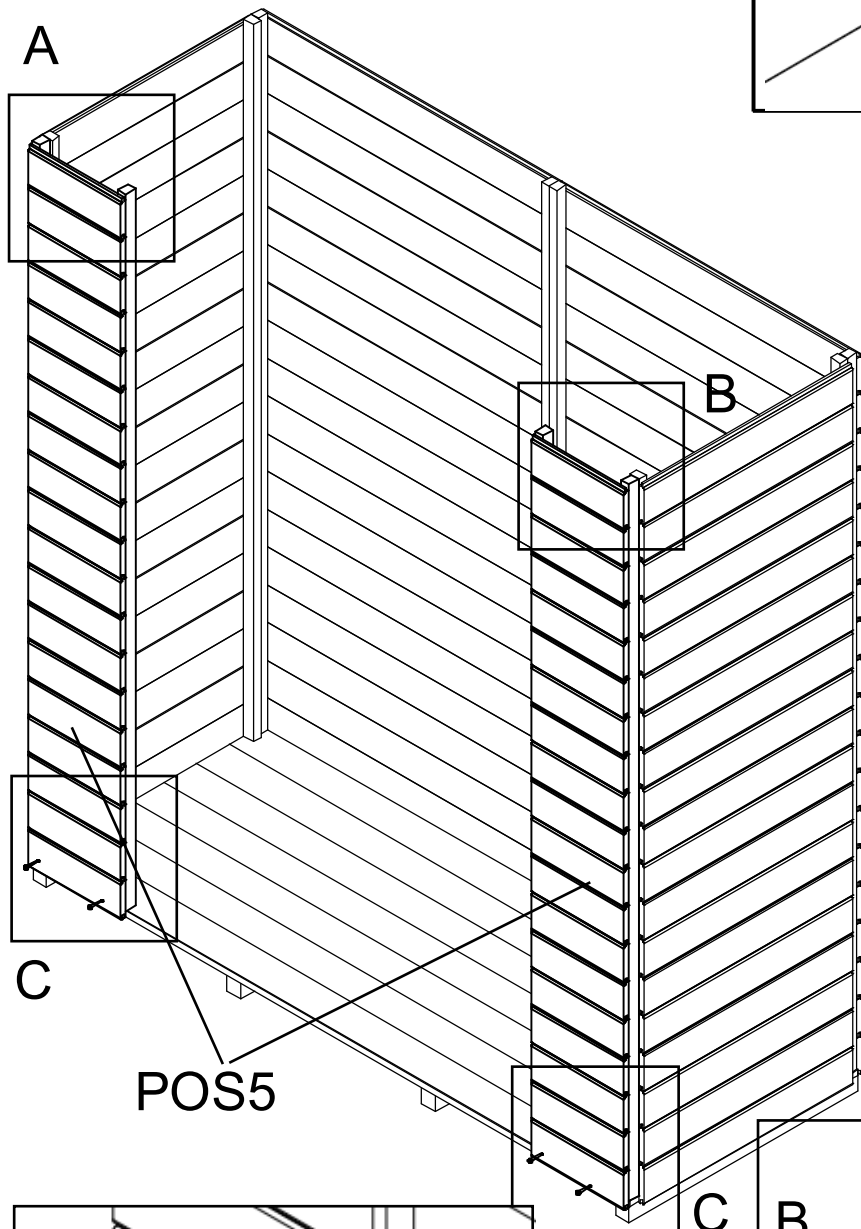
A



+



A



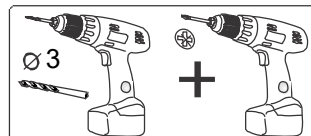
B

C

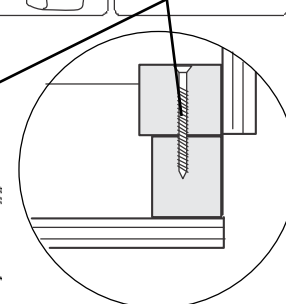
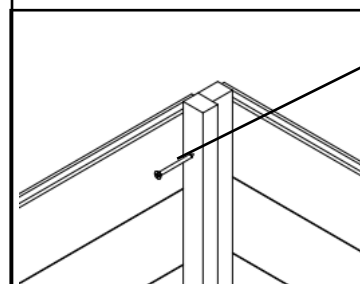
POS5

C

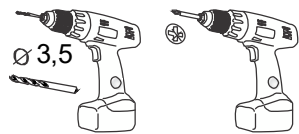
B



+



6



POS

6.

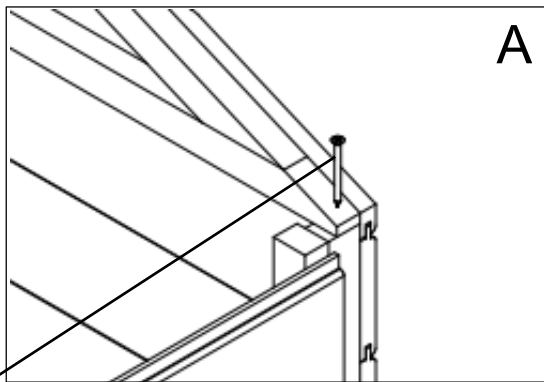


364x1672 2X

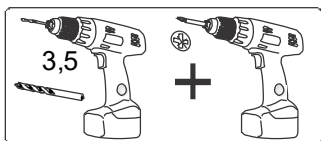


4x

4x50mm



A

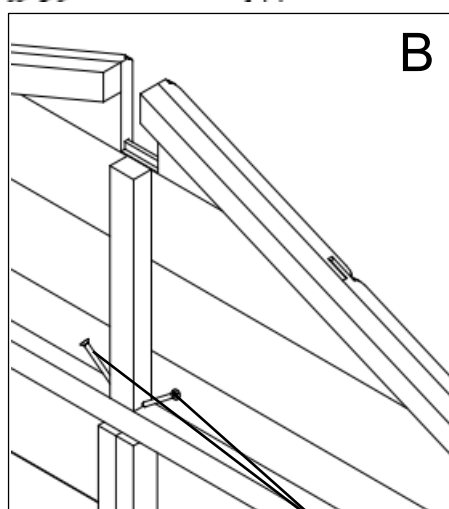


3,5

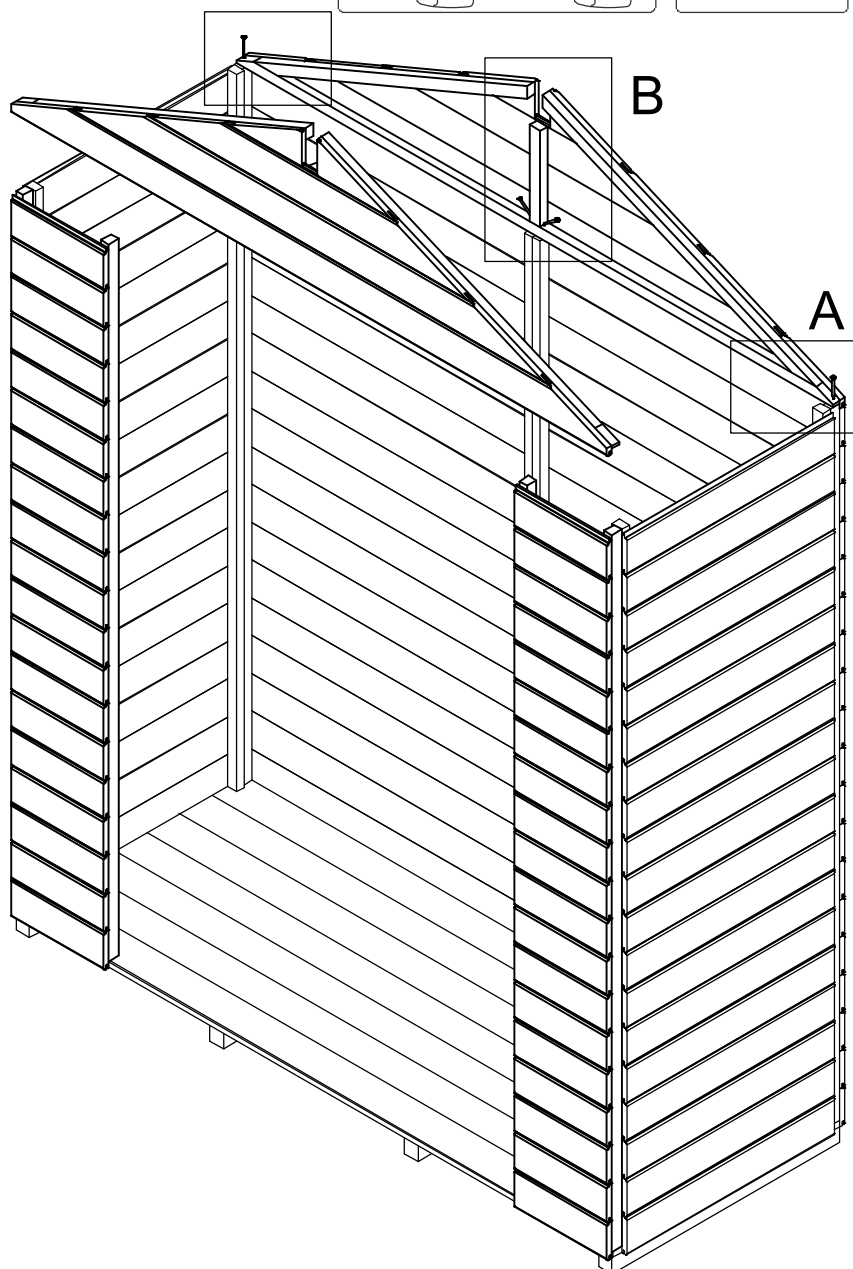
+



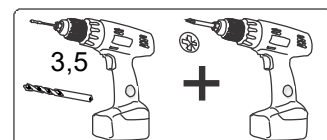
4x50mm



B



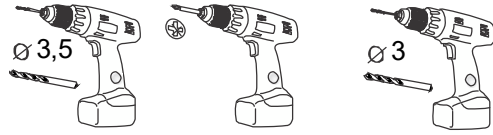
4x50mm




3,5

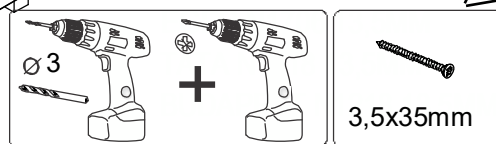
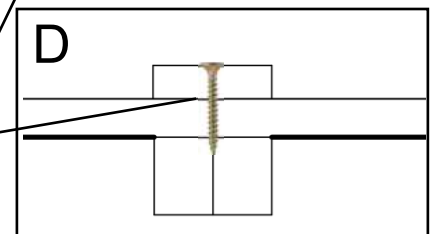
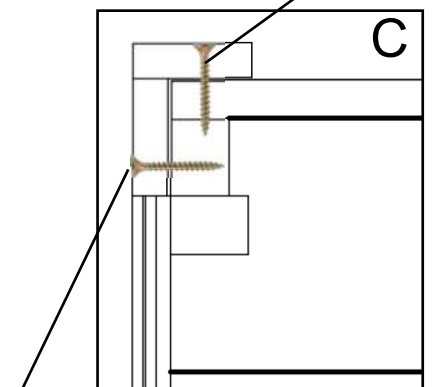
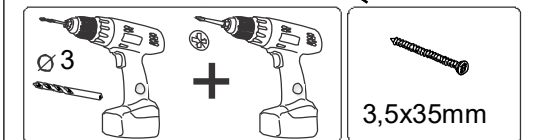
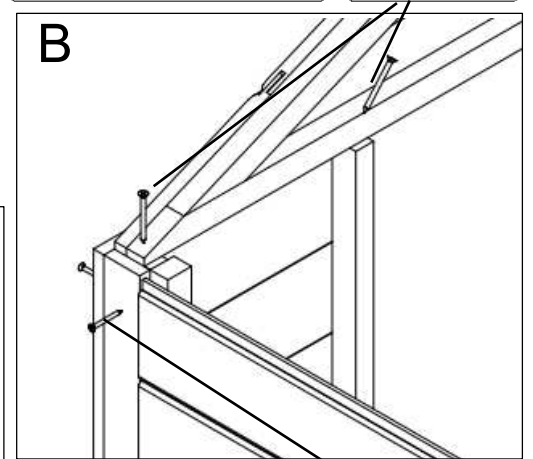
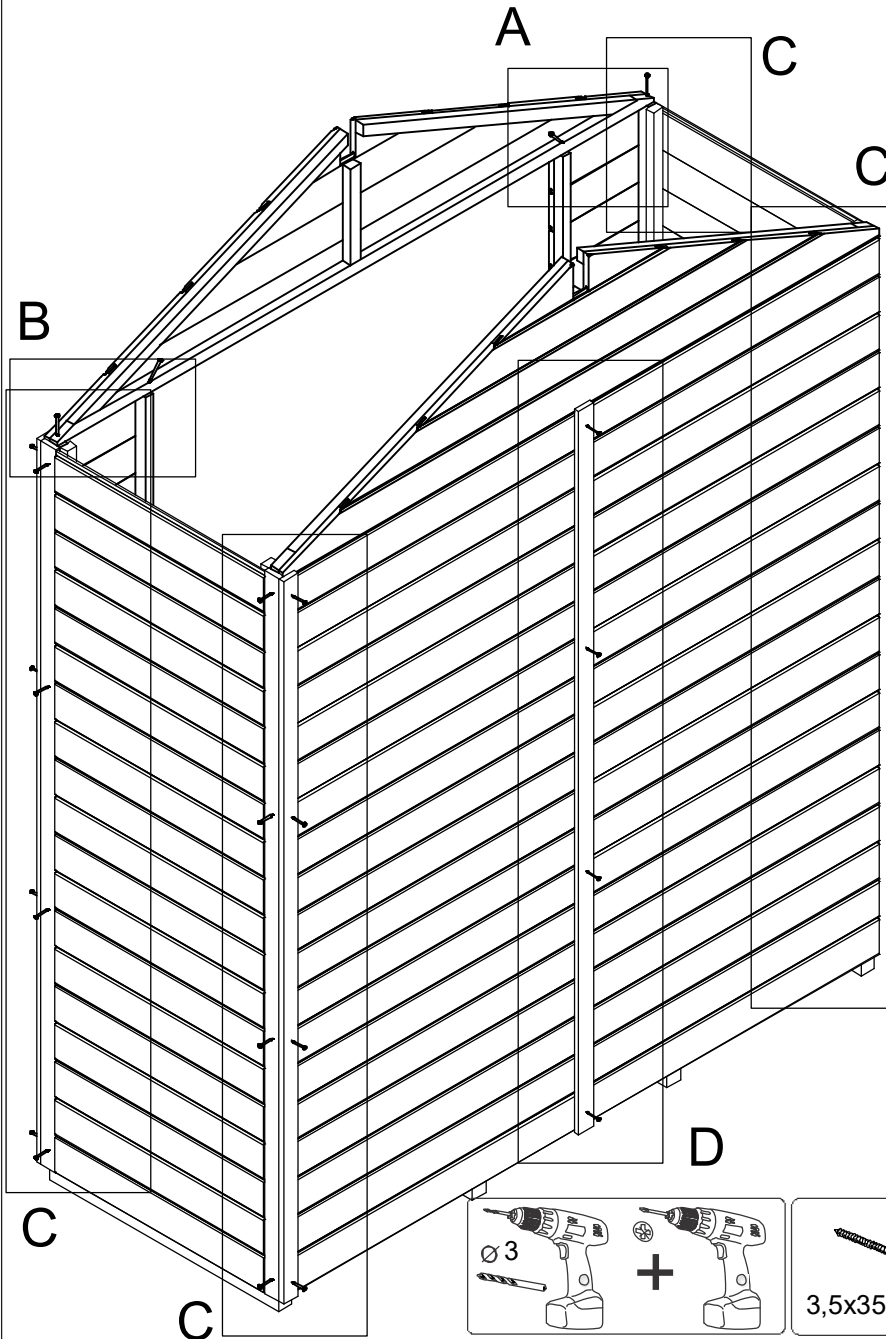
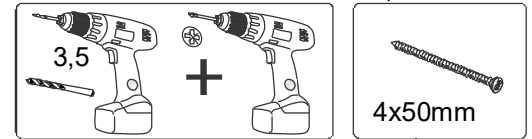
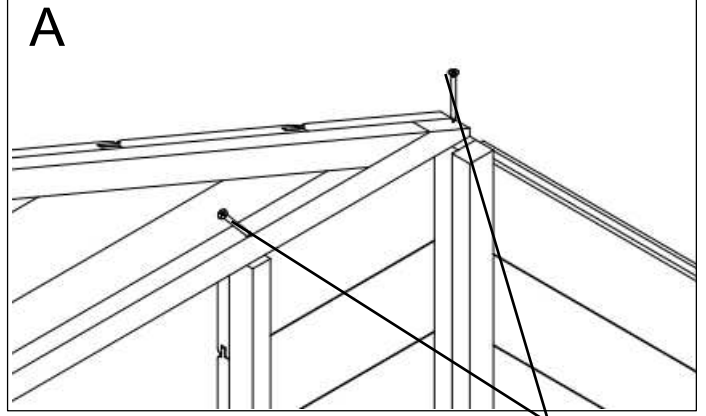
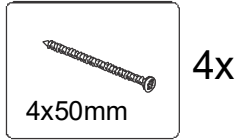
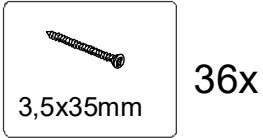
+

7

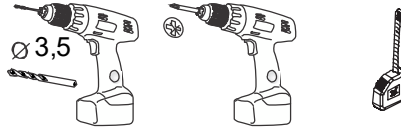
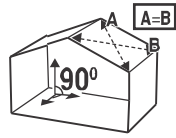


POS

6.  12x42x1770 9X



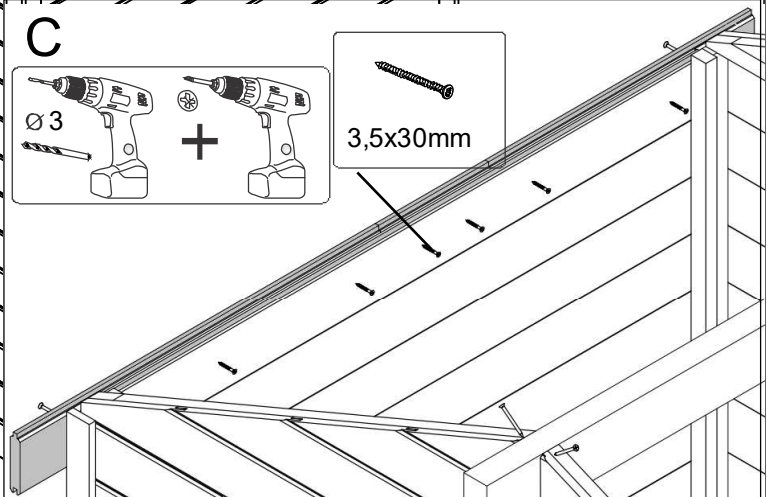
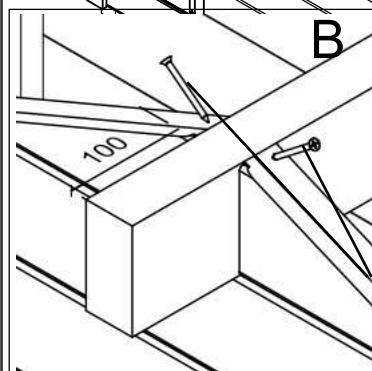
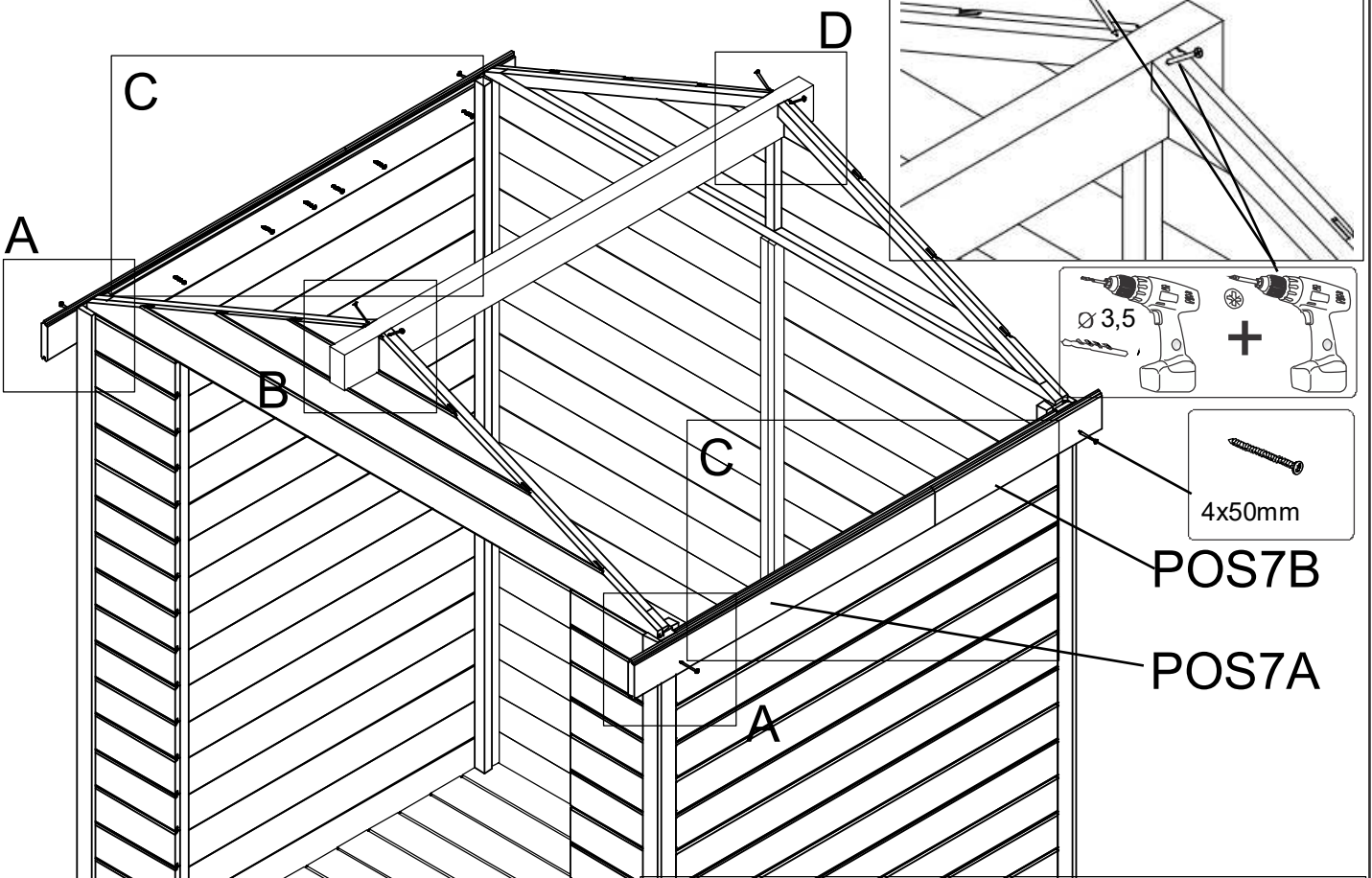
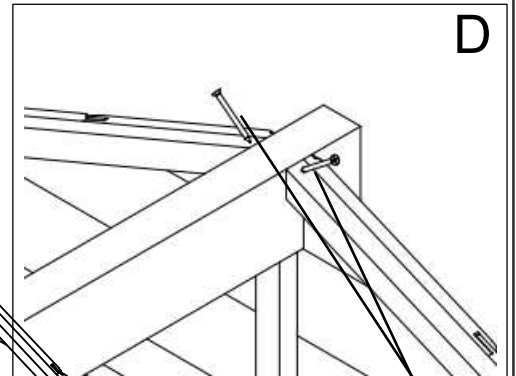
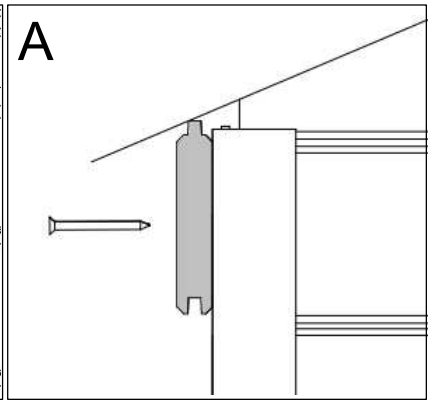
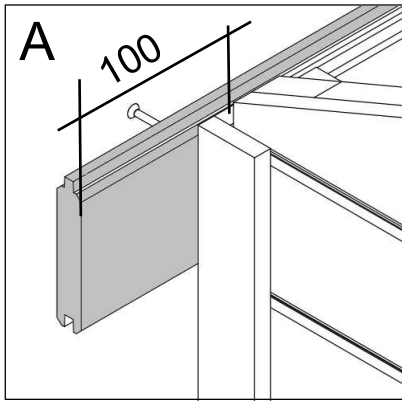
8



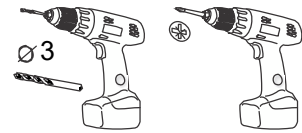
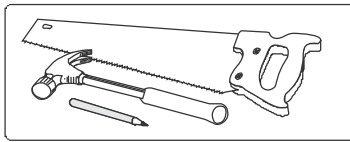
POS

- 7A 18x98x555mm 2X
- 7B 18x98x265mm 2X
- 8. 43x90x820mm 1X





- 8X
- 12x

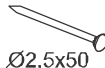




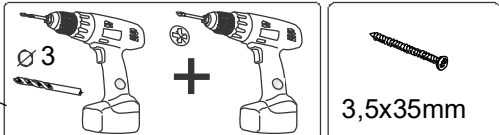
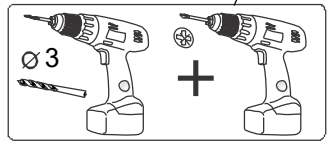
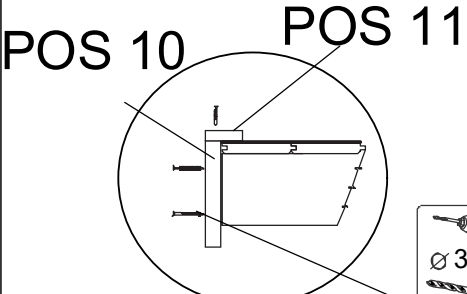
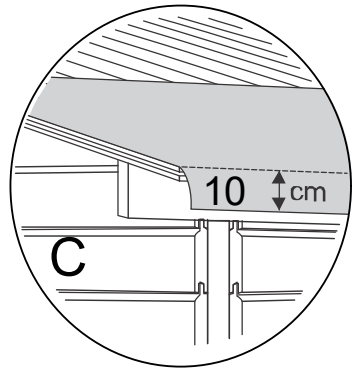
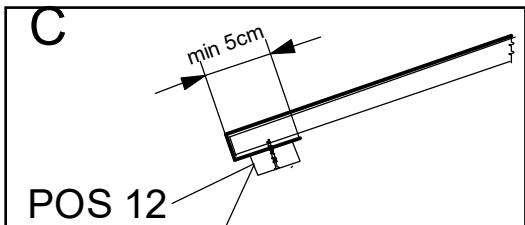
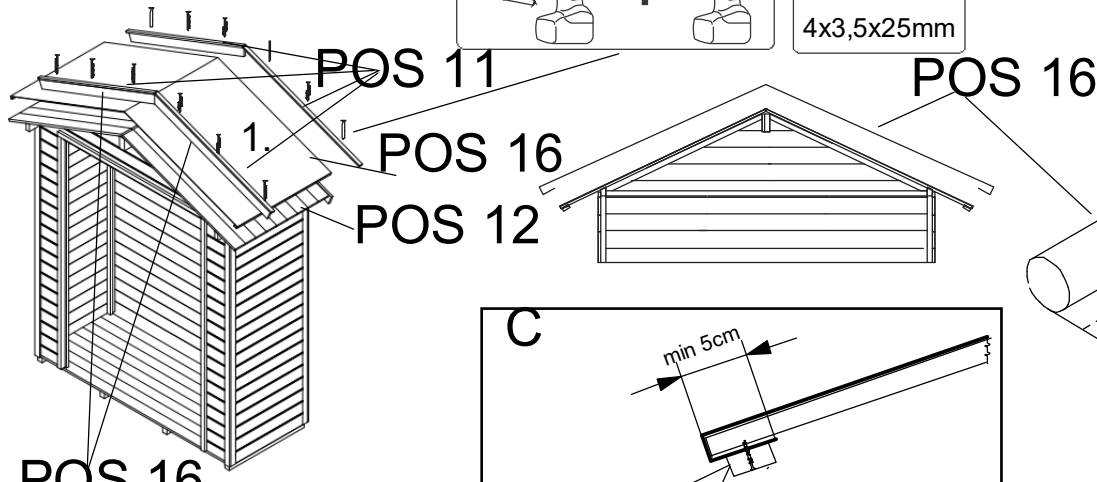
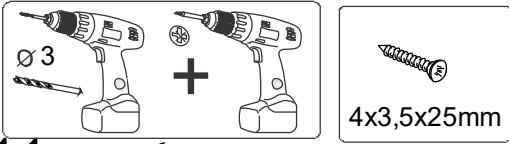
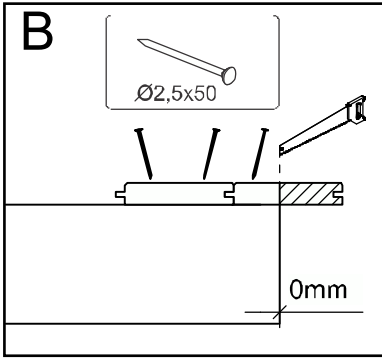
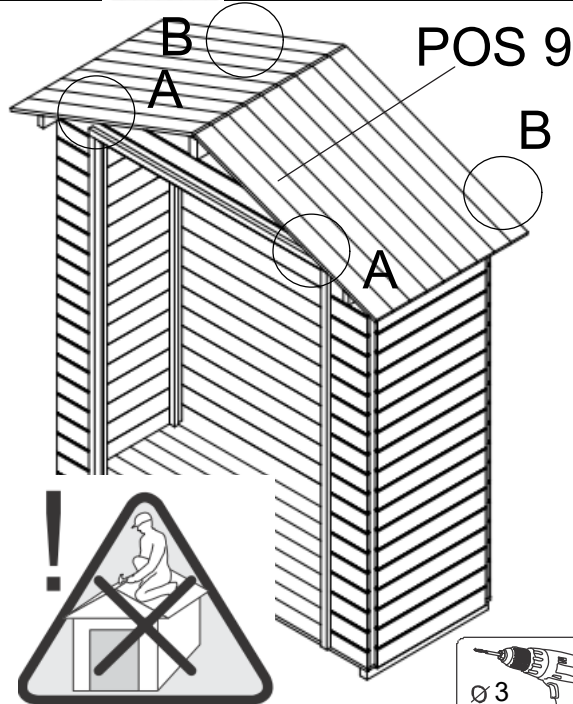
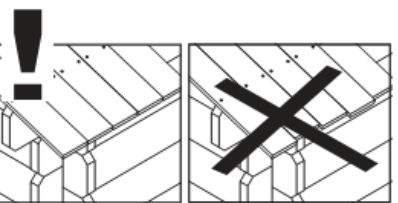
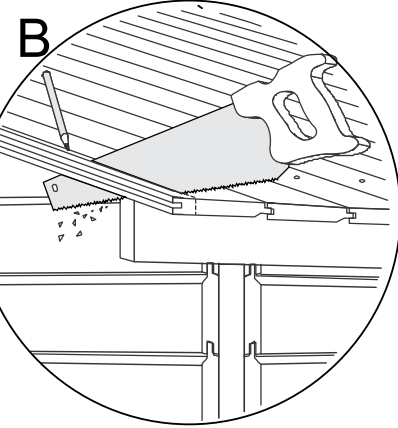
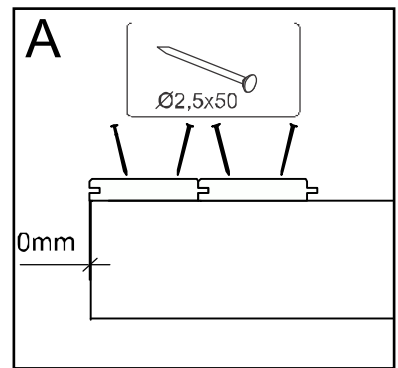
9



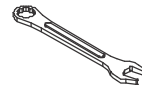
POS

- 9.  15x99x1050 20X
- 10.  15x65x1070 4X
- 11.  12x26x1070 4X
- 12.  12x26x820 2X

-  80X
Ø2,5x50
-  12X
3,5x35mm
-  18X
3,5x25mm



10



POS

13. 12x42x1770 2X

15. 12x26x1152 1X

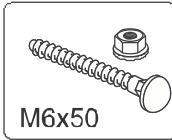
14A. 570x1770 1X

14B. 570x1770 1X

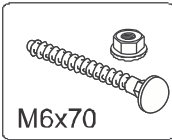
15x60x100 4X



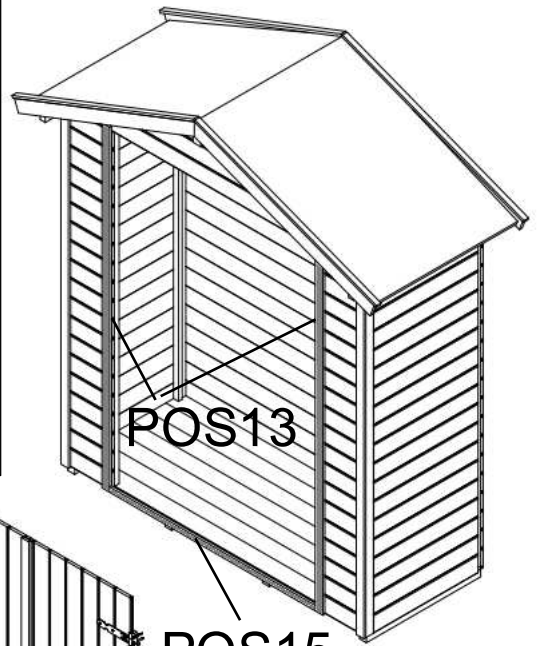
24X



4X

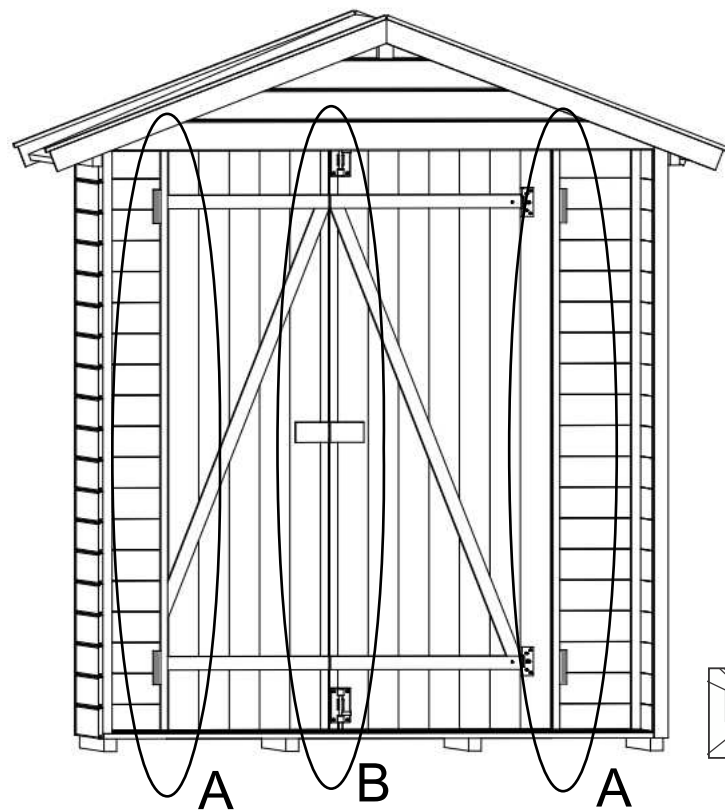


4X



POS13

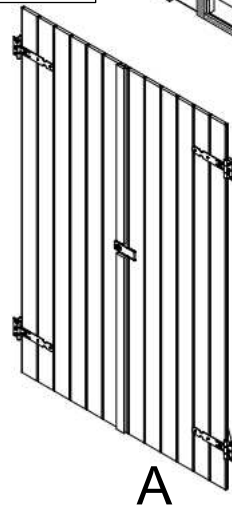
POS15



A

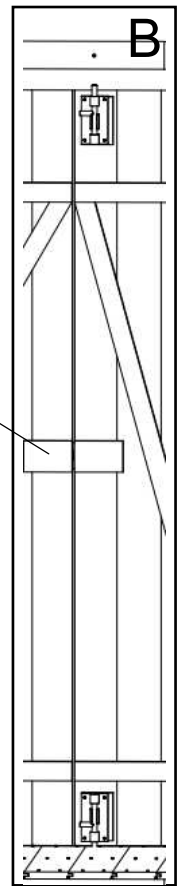
B

A

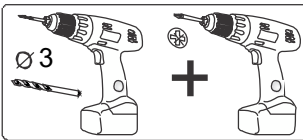


A

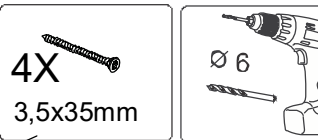
15x60x100



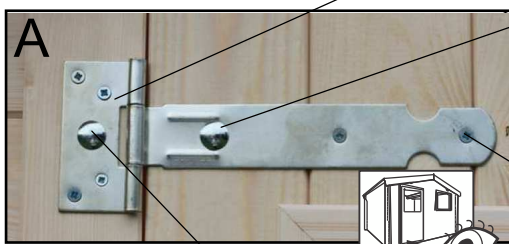
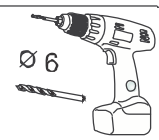
B



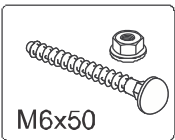
+



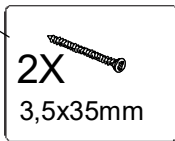
4X



A

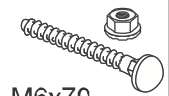
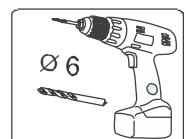
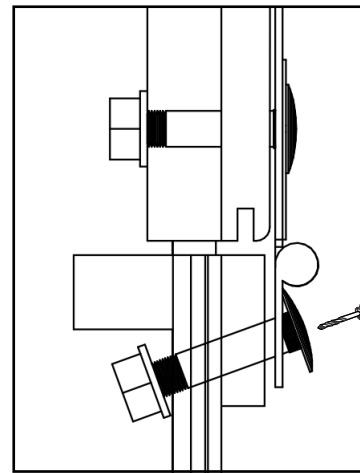


M6x50

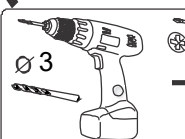


2X

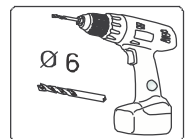
3,5x35mm



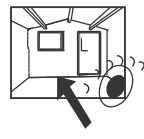
M6x70



+



Ø 6



11

