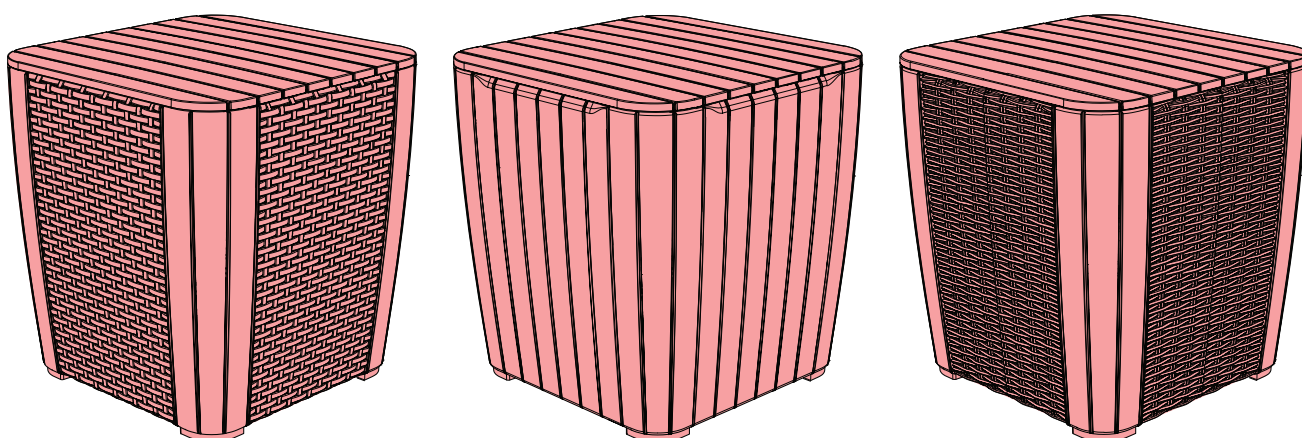


SMALL BALCONY TABLE



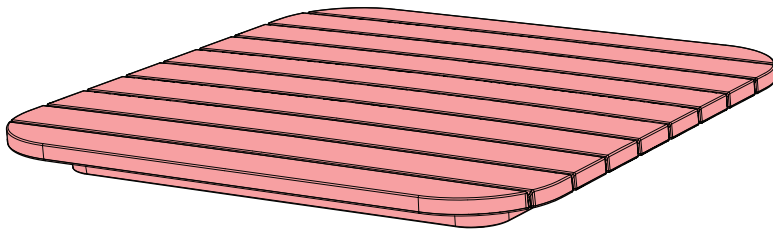
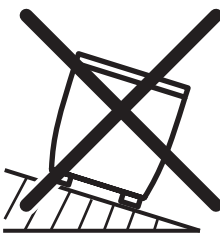
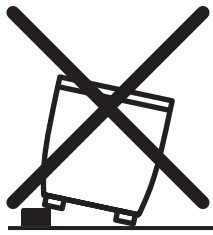
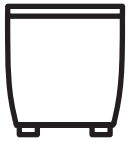
"LUZON TABLE" V1.2 / 573028 / 442160



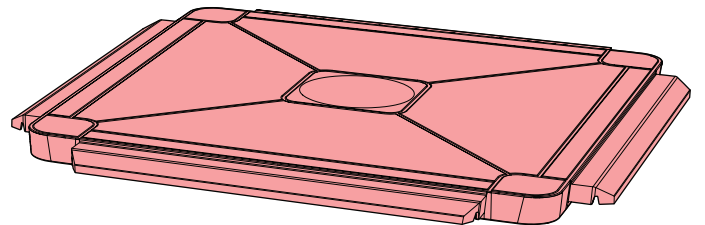
NEN 581



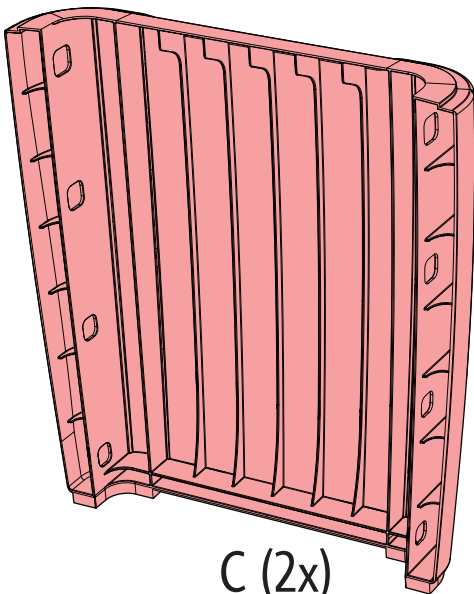
 < 110 kg



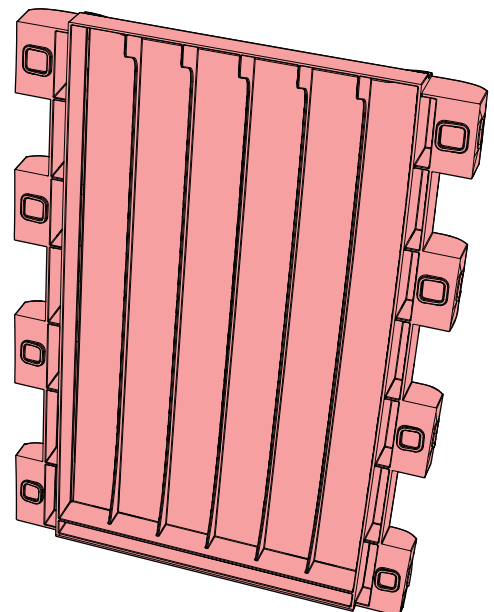
A



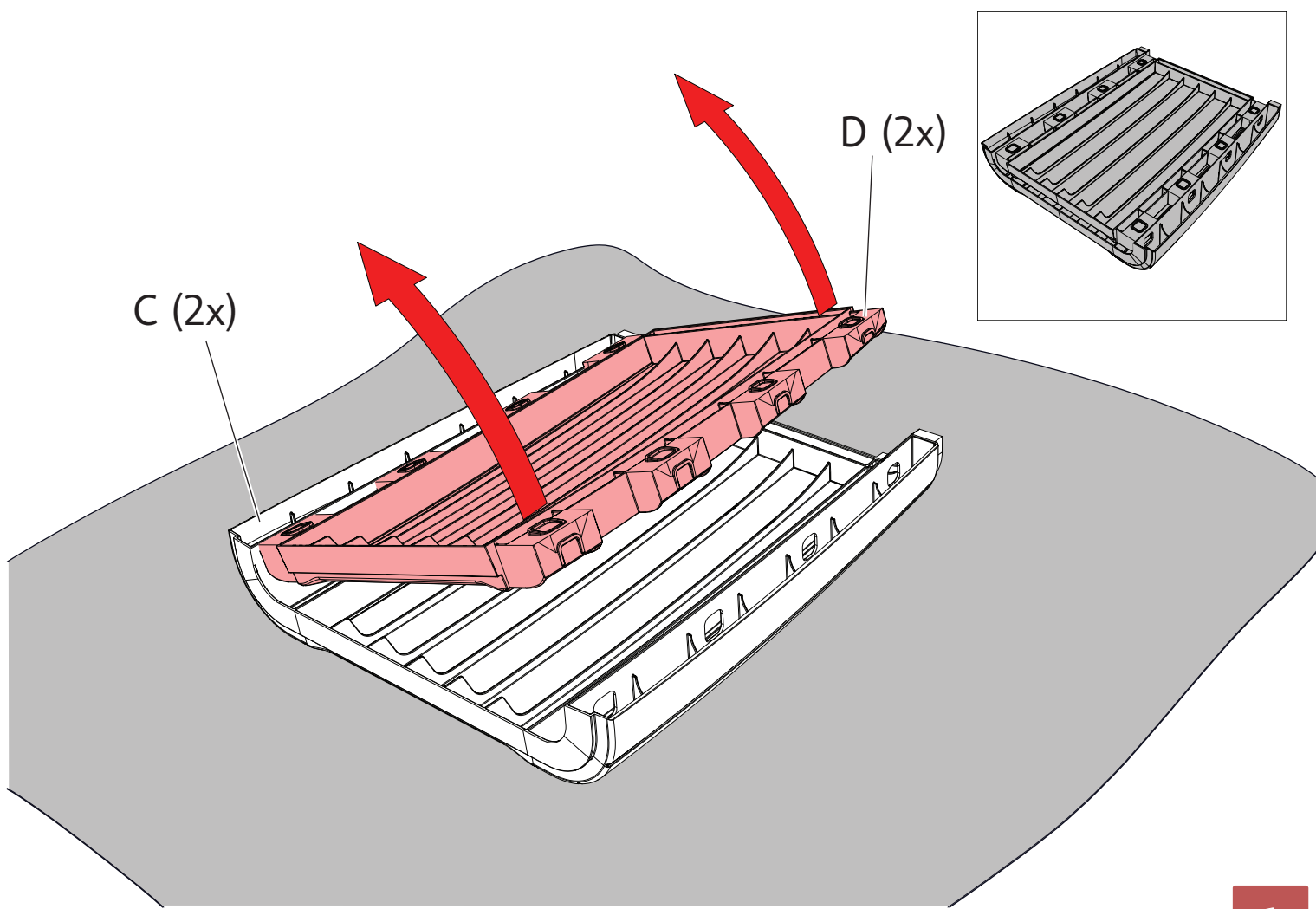
B



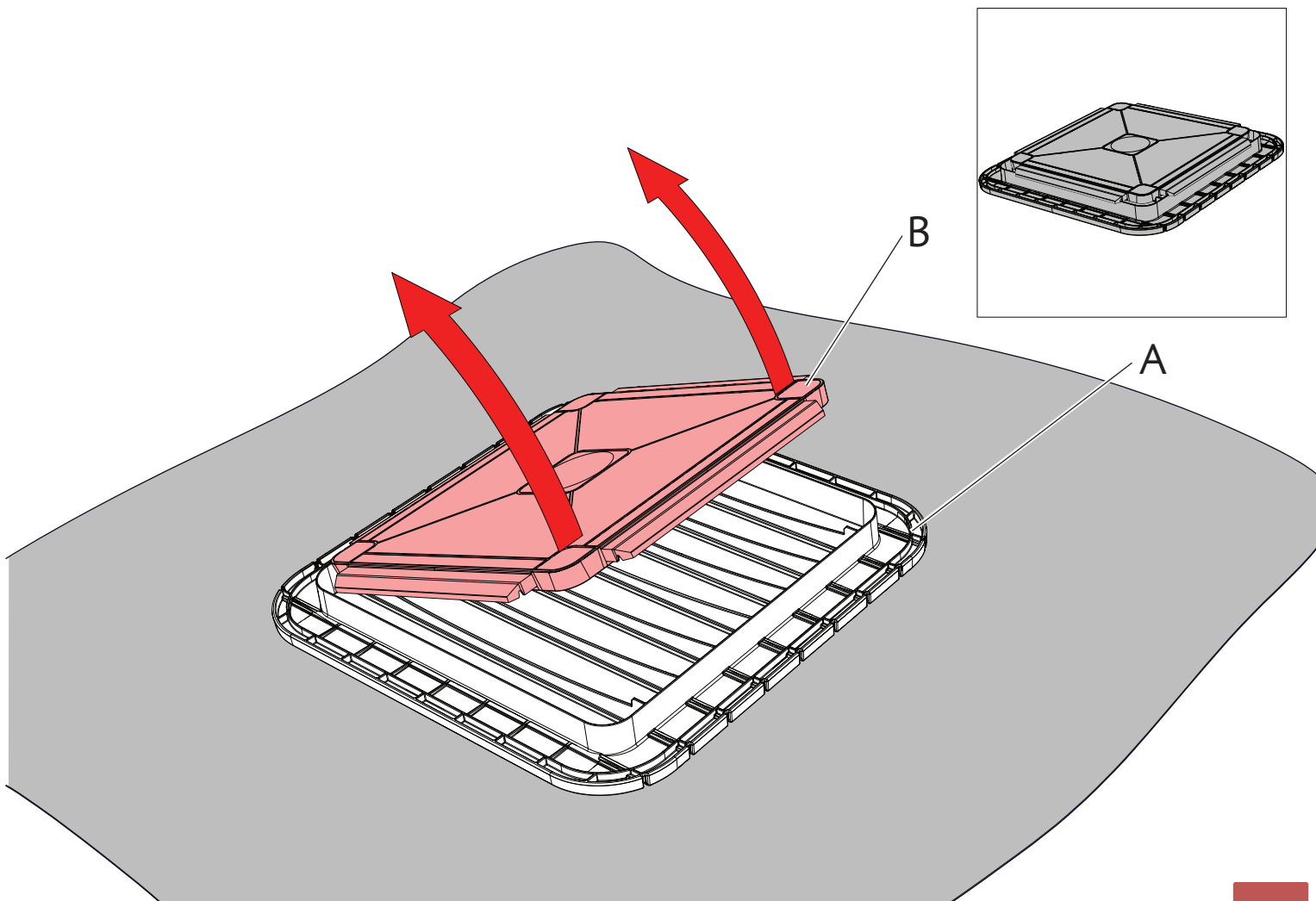
C (2x)



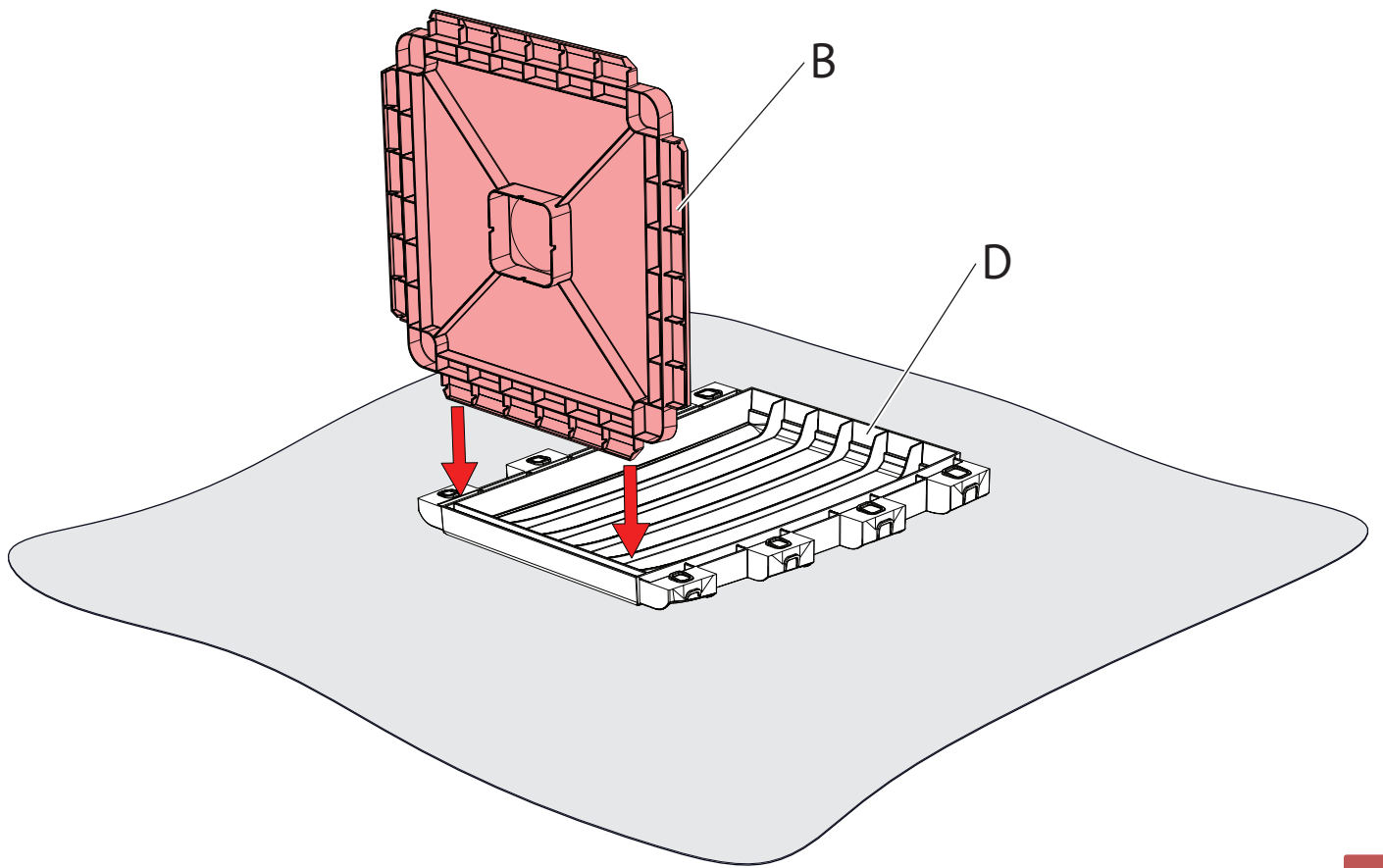
D (2x)



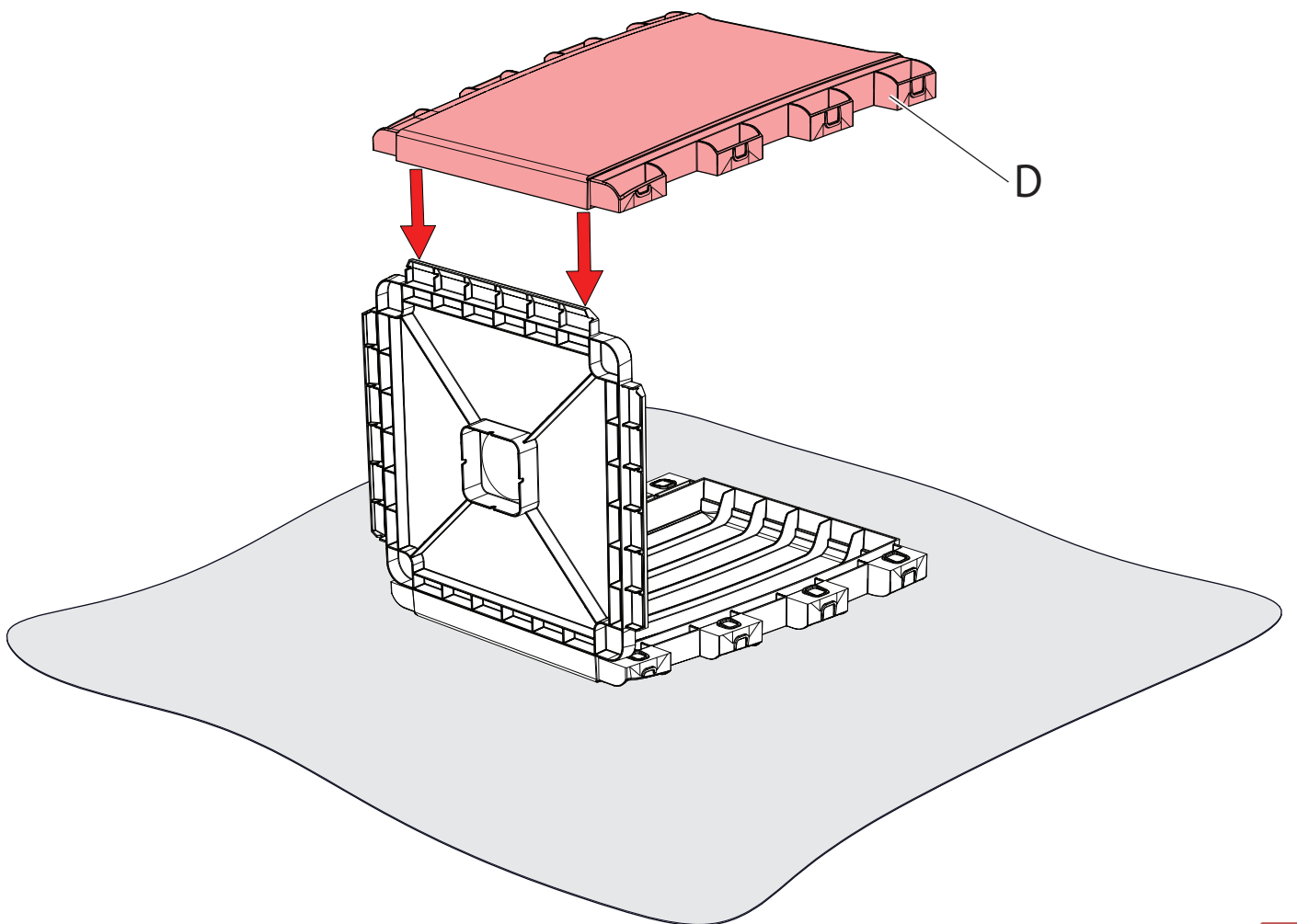
1



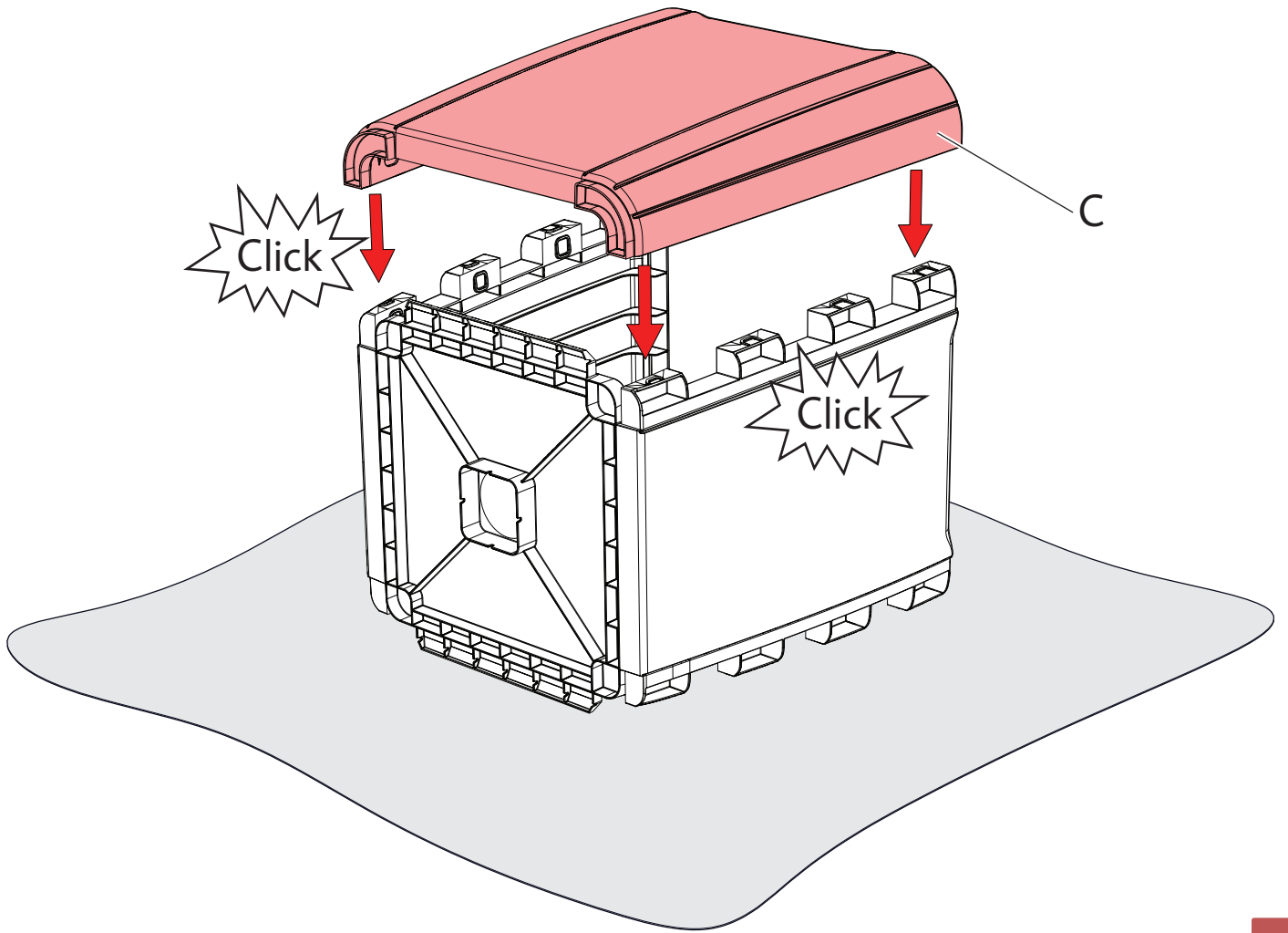
2



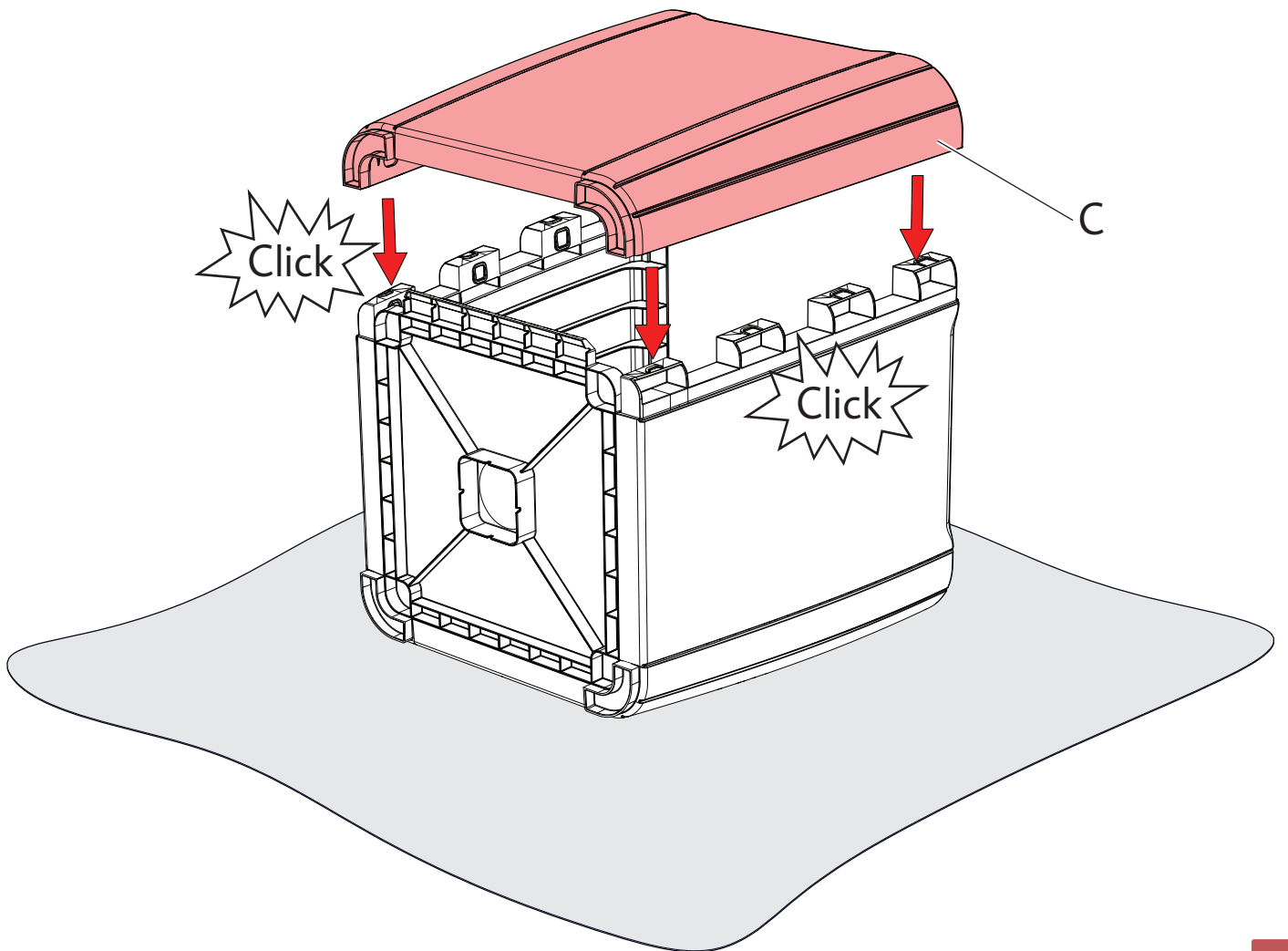
3



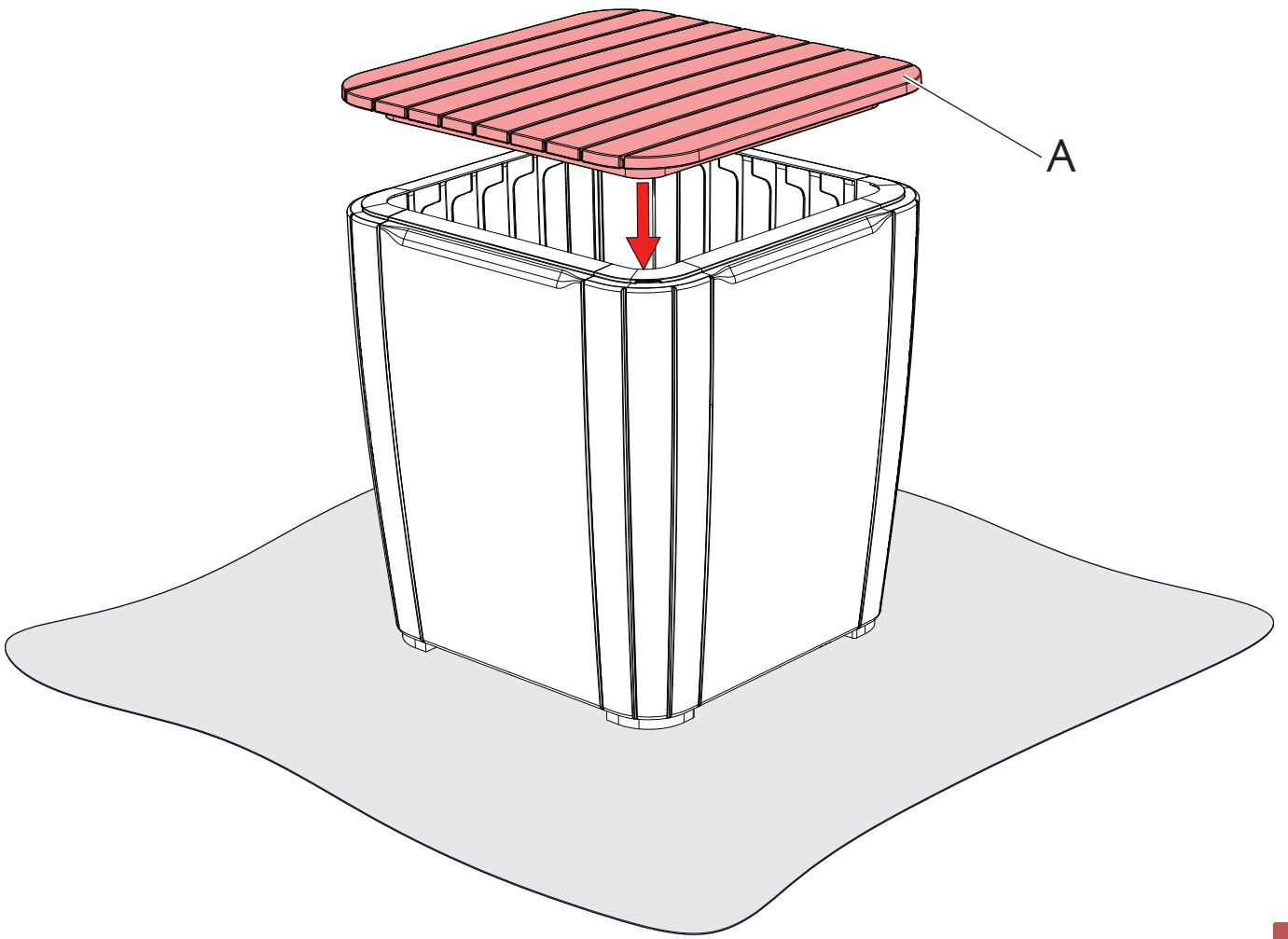
4



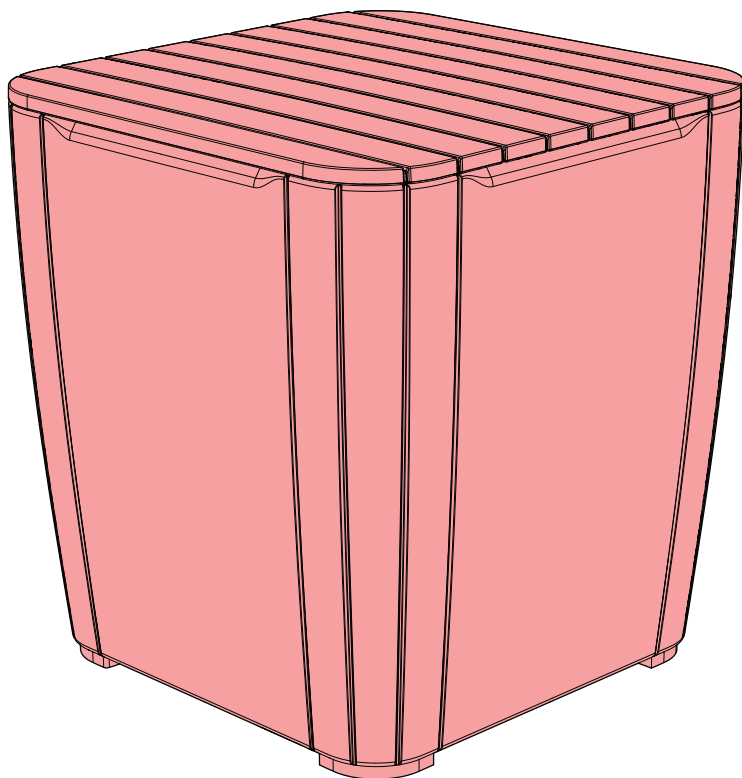
5



6



7



8