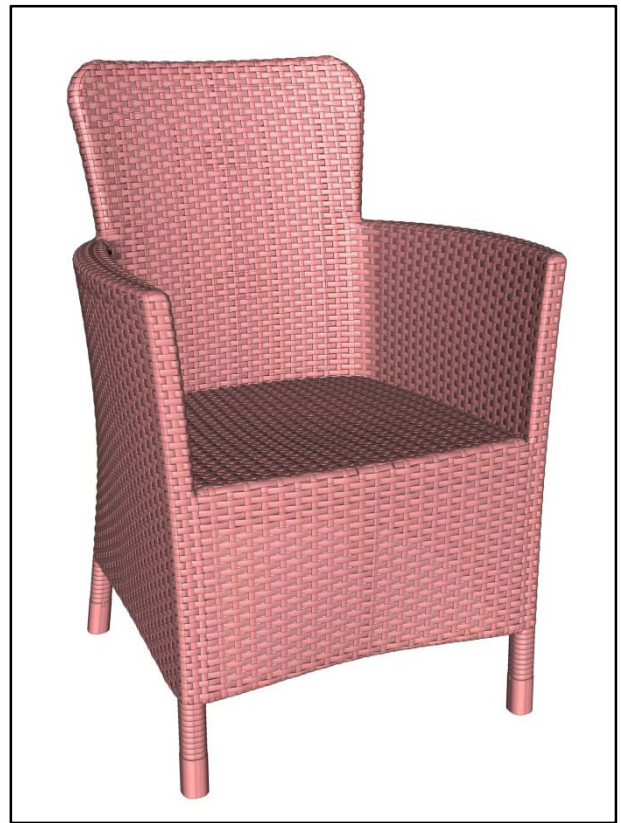
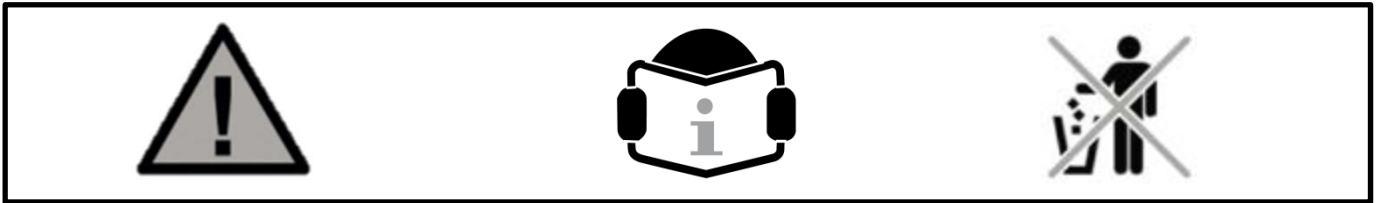


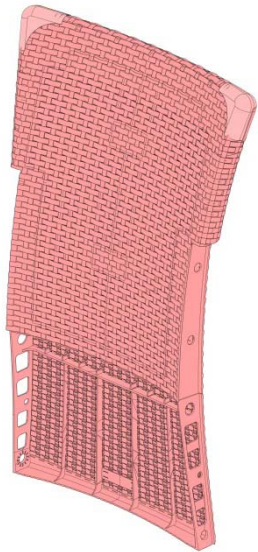
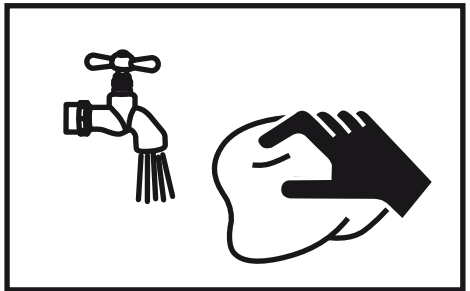
DINING CHAIR



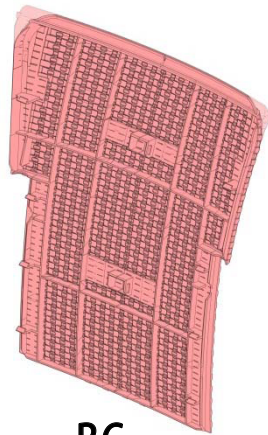
"DINING CHAIR" V10.2/ 568222 /442084



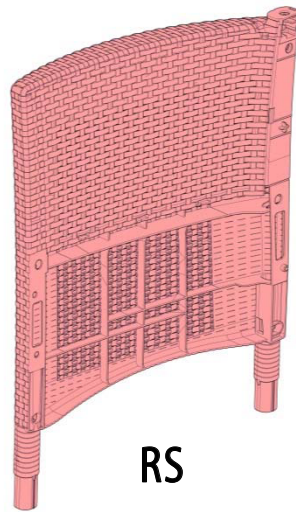
NEN 581		
✓	✓	✗



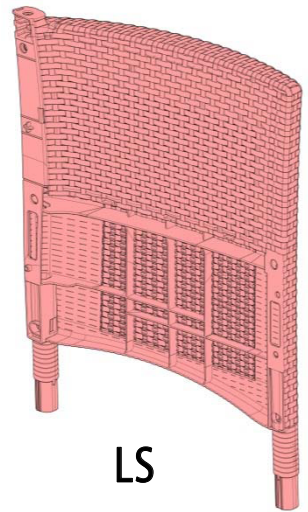
B



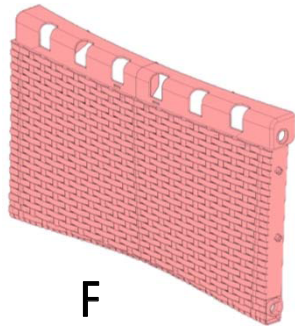
BC



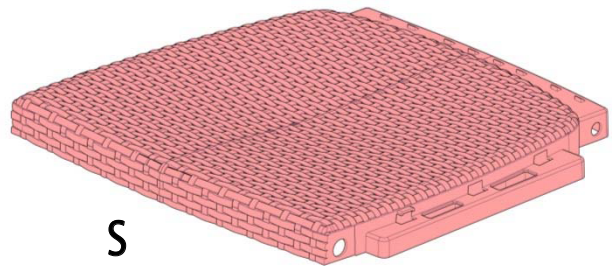
RS



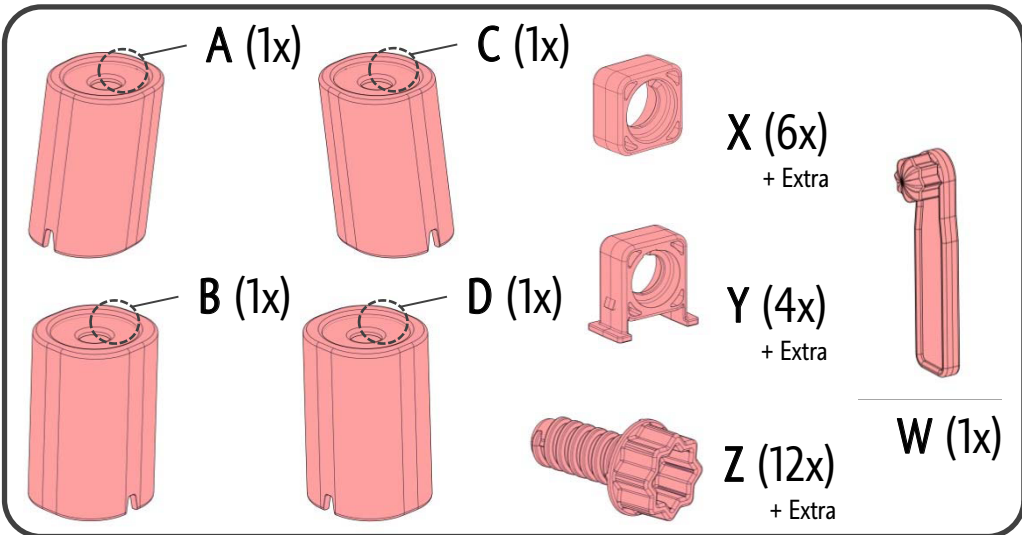
LS

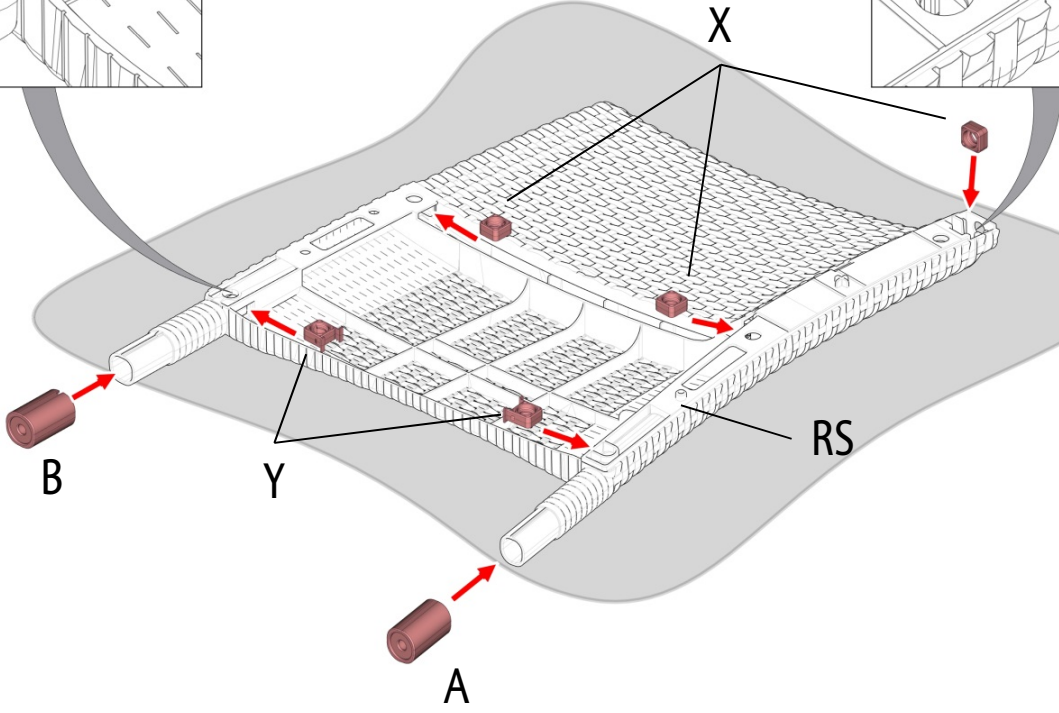
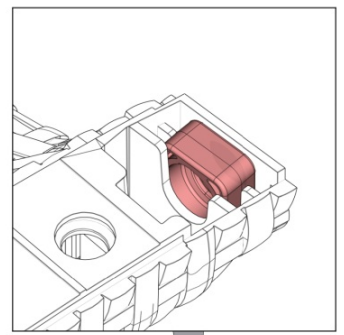
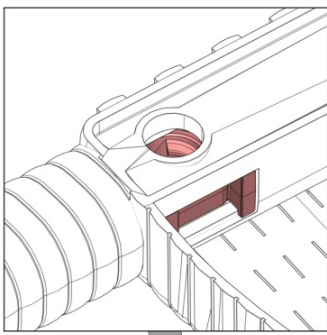


F

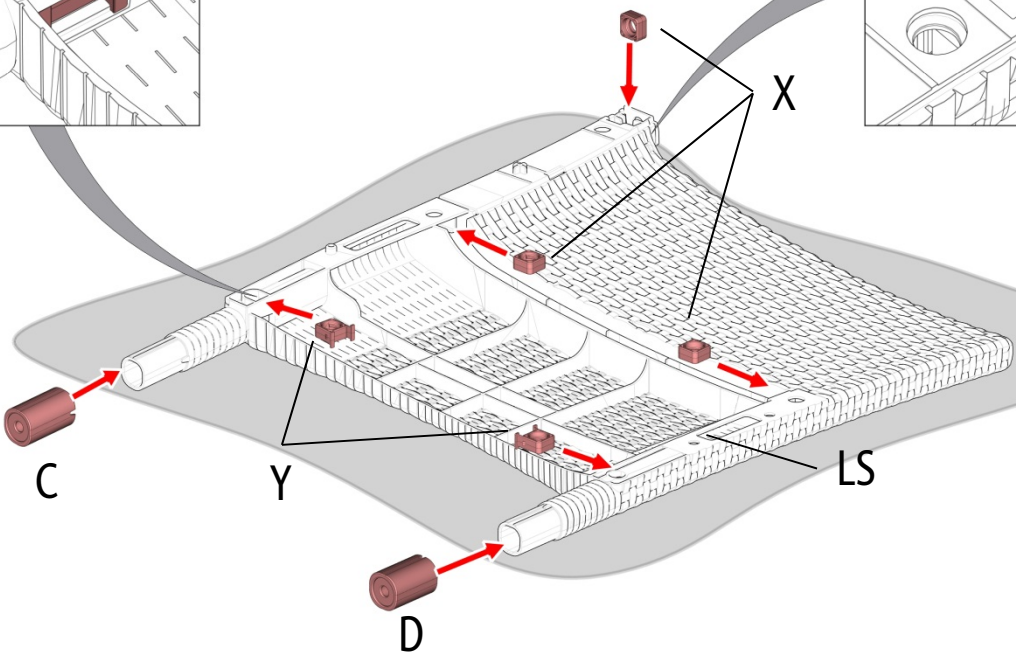
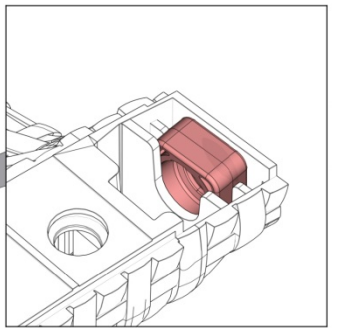
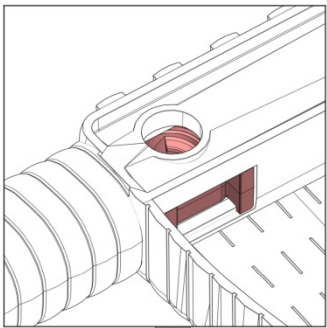


S

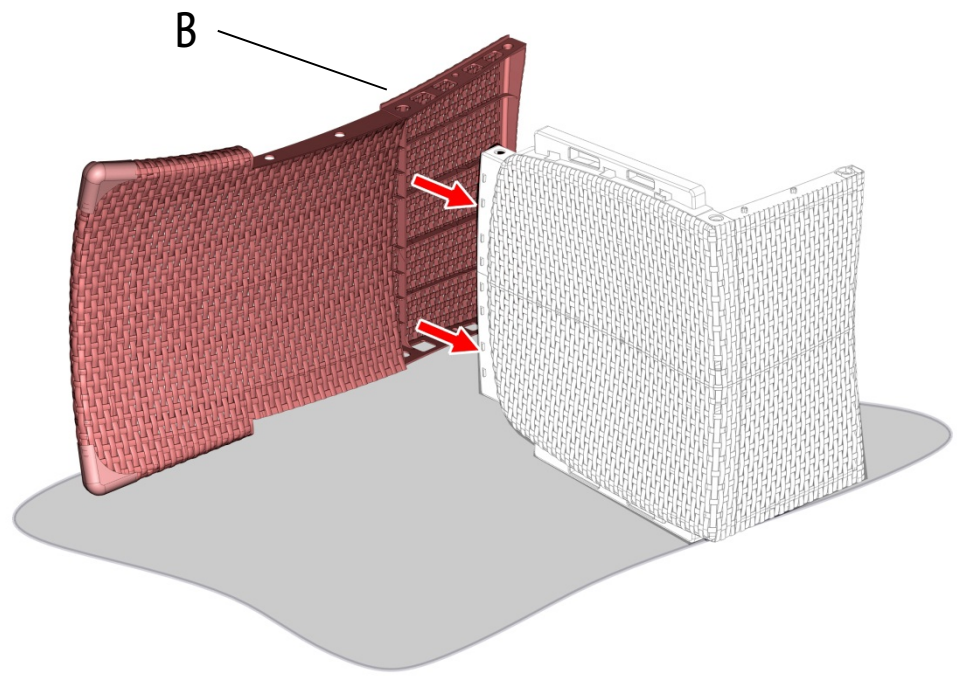
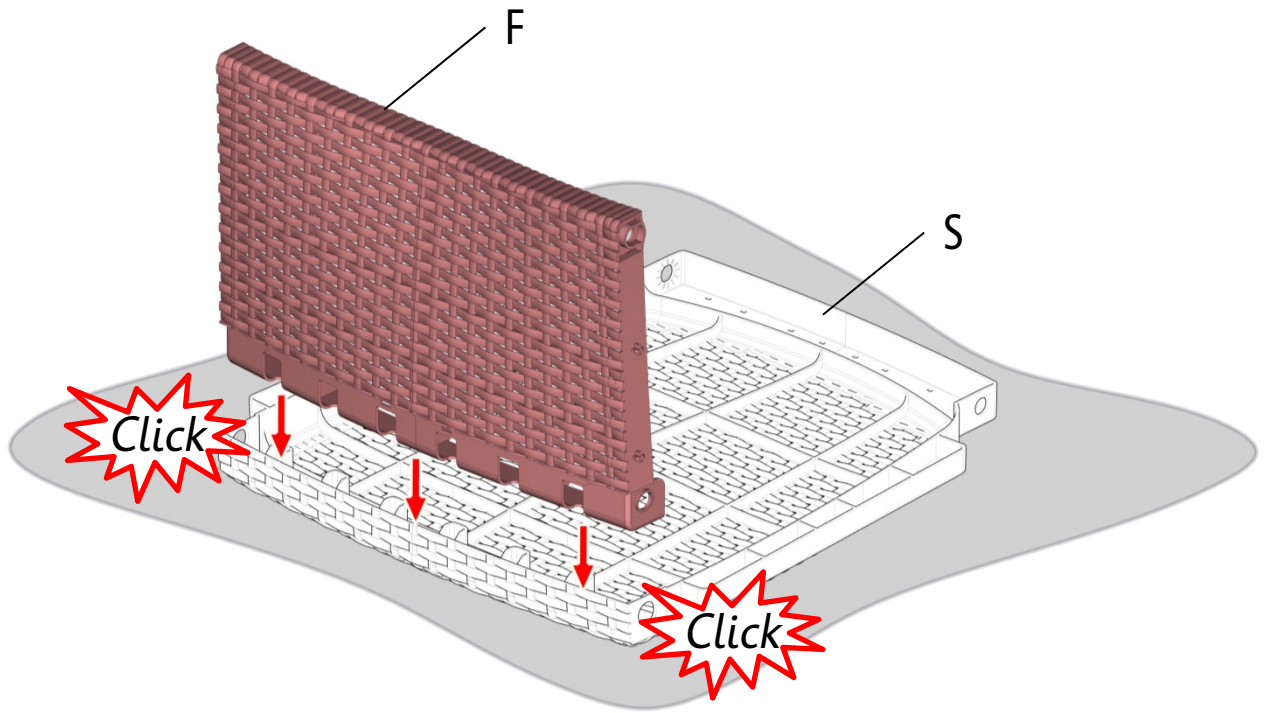


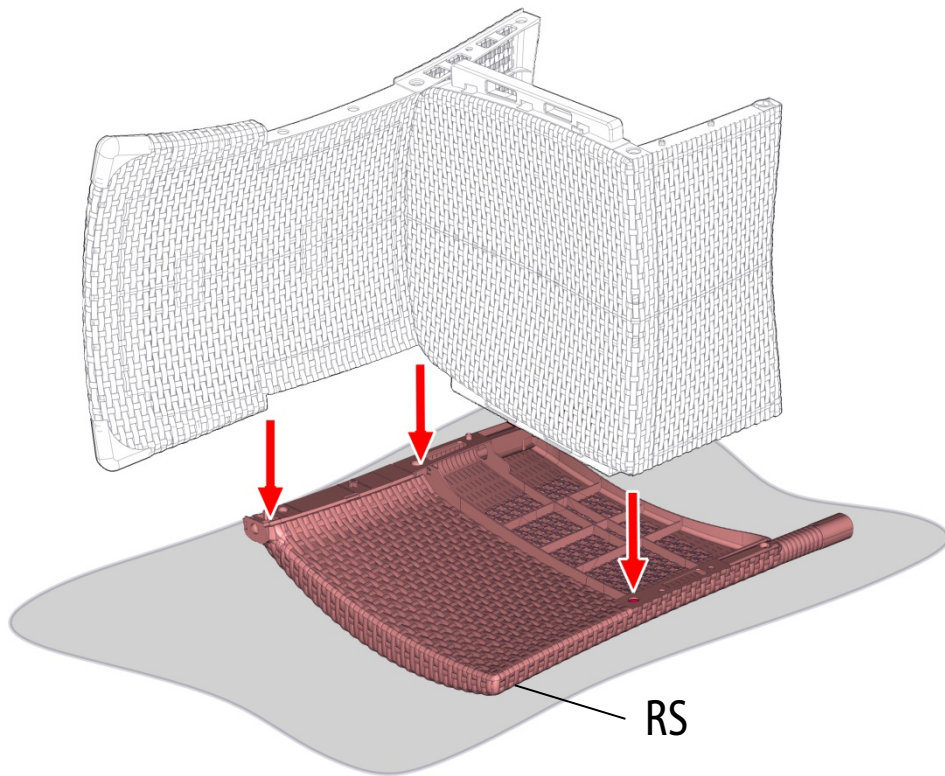


1

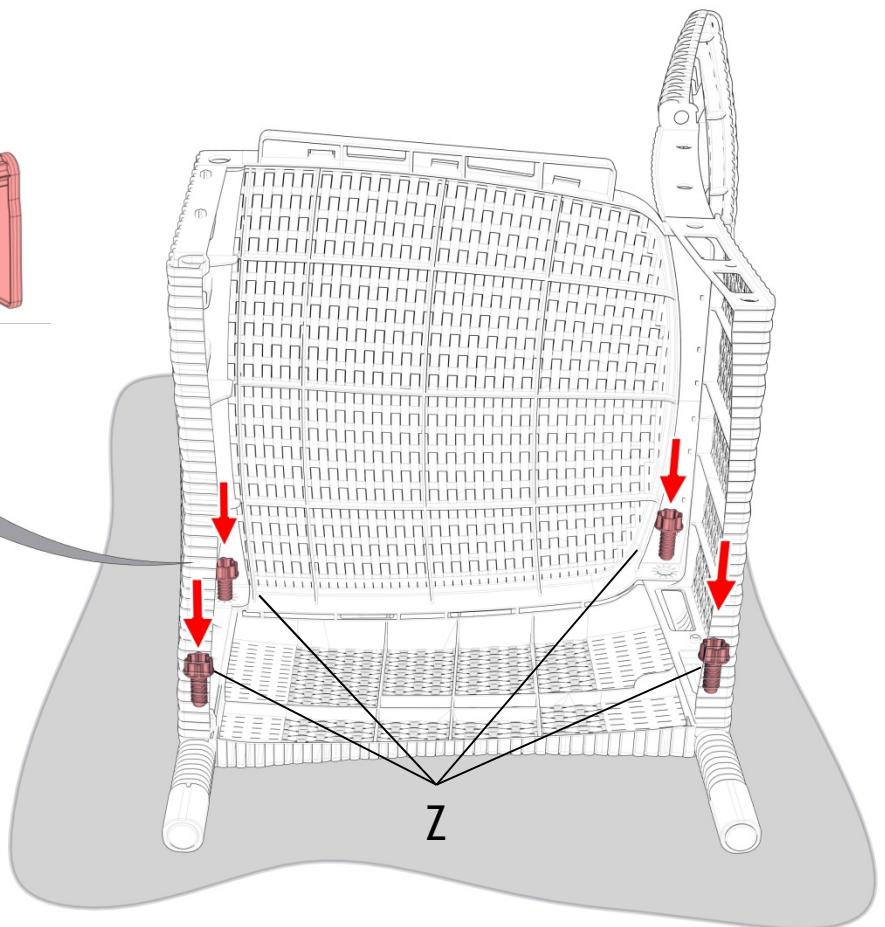
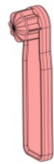
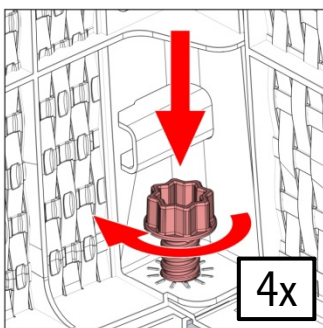


2

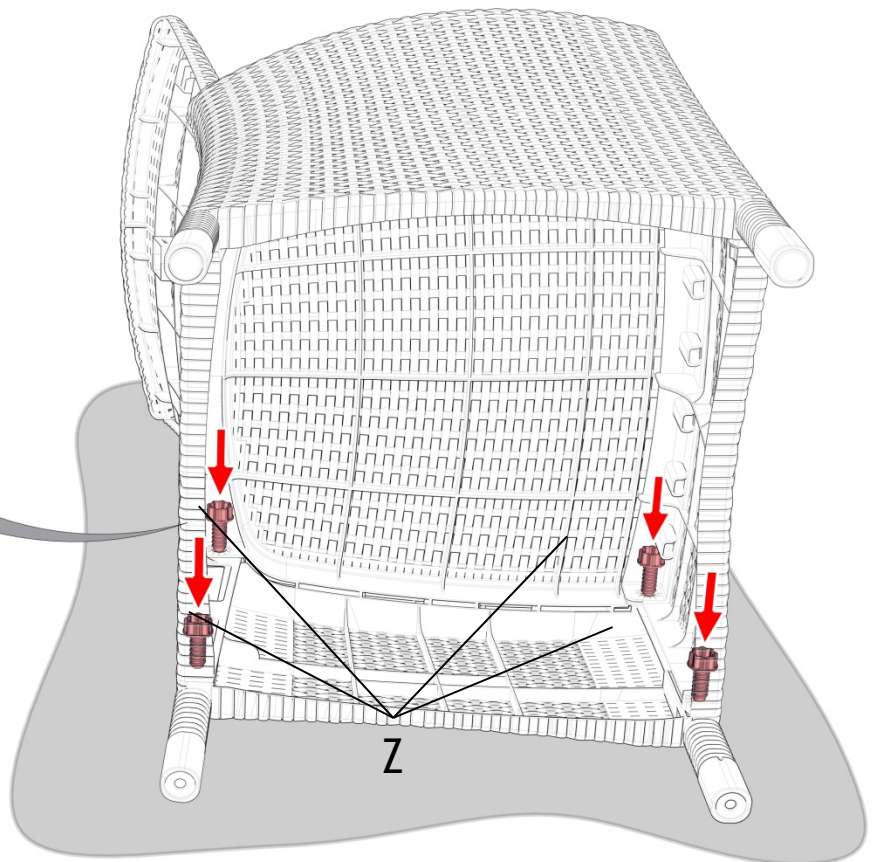
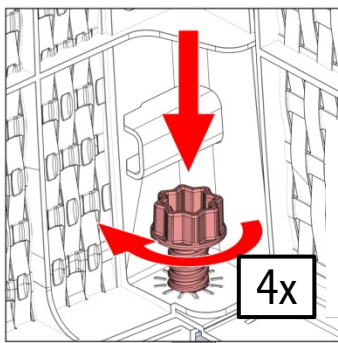
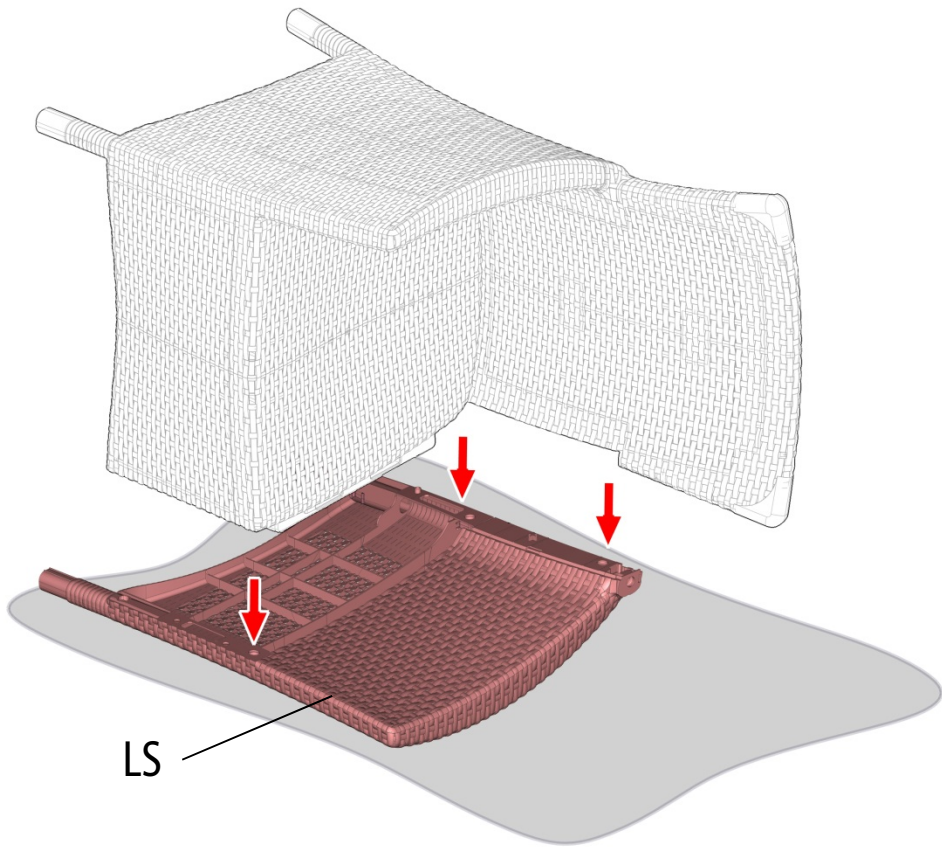


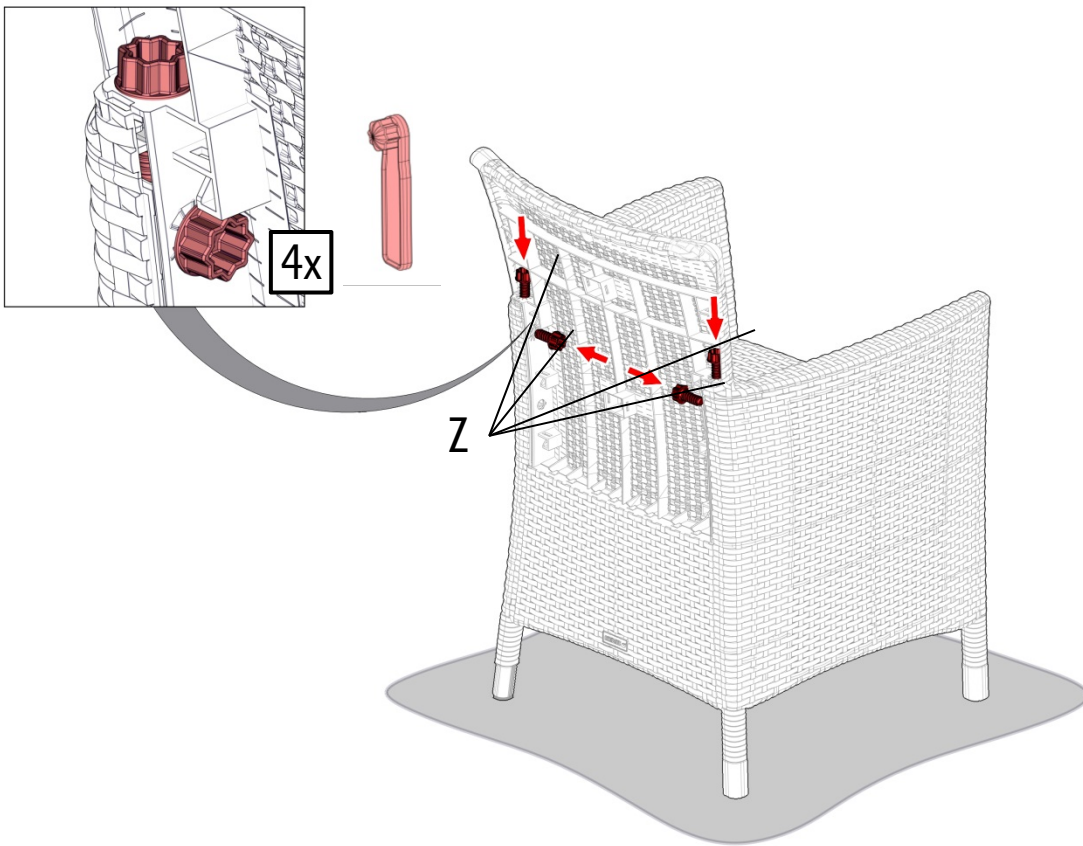


5

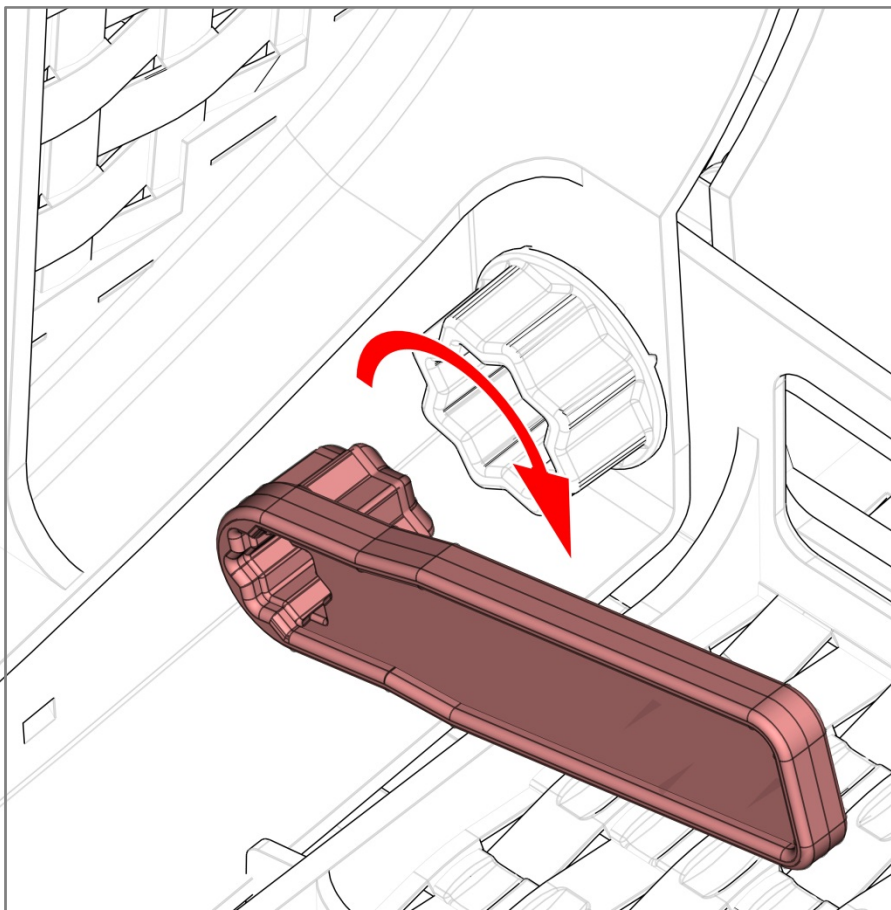


6





9

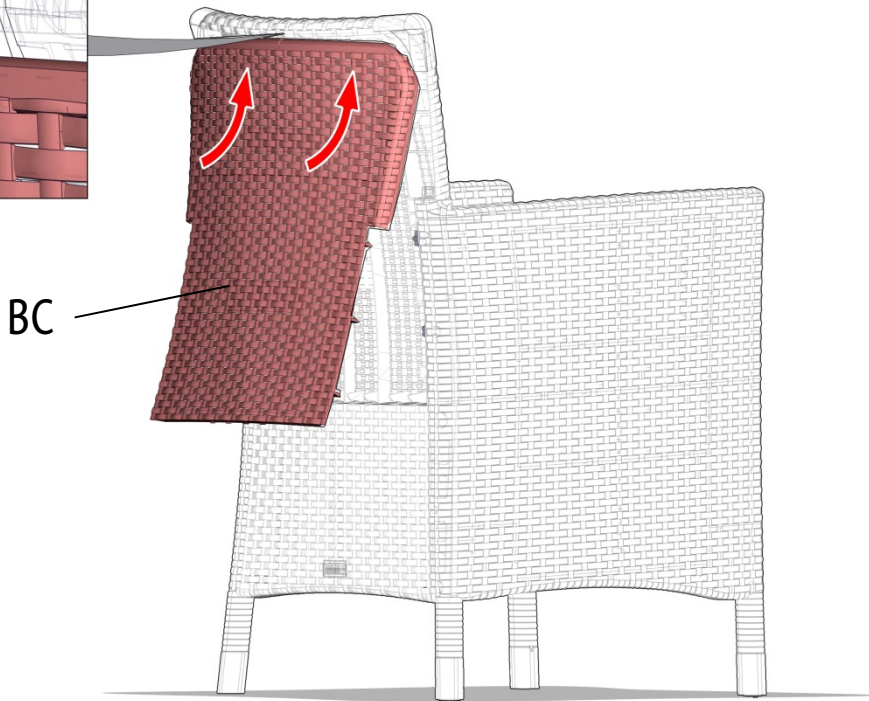
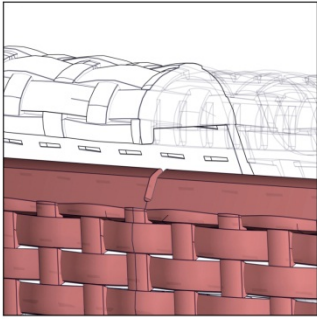
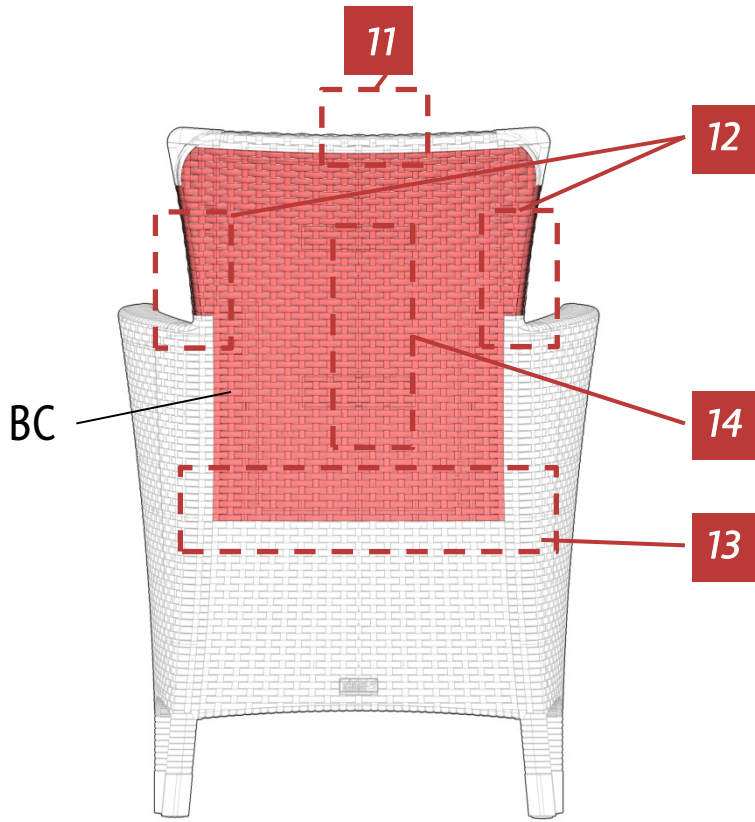


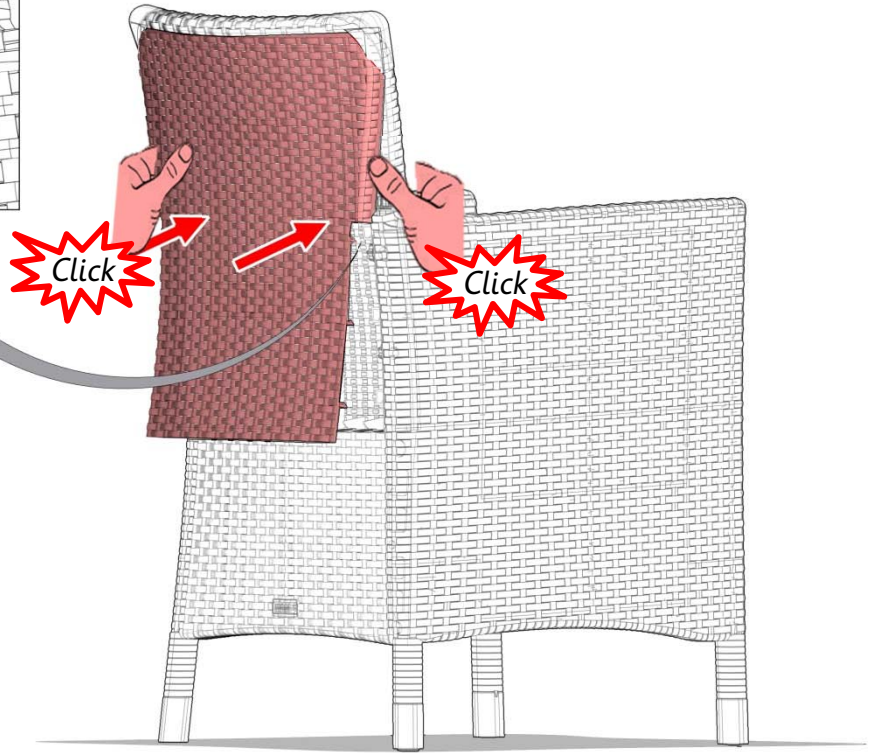
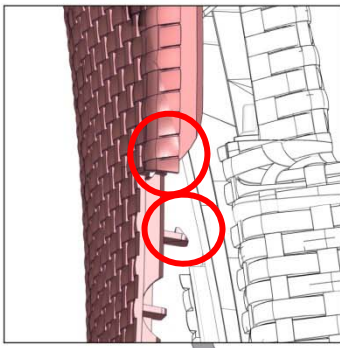

CHECK
12x

10

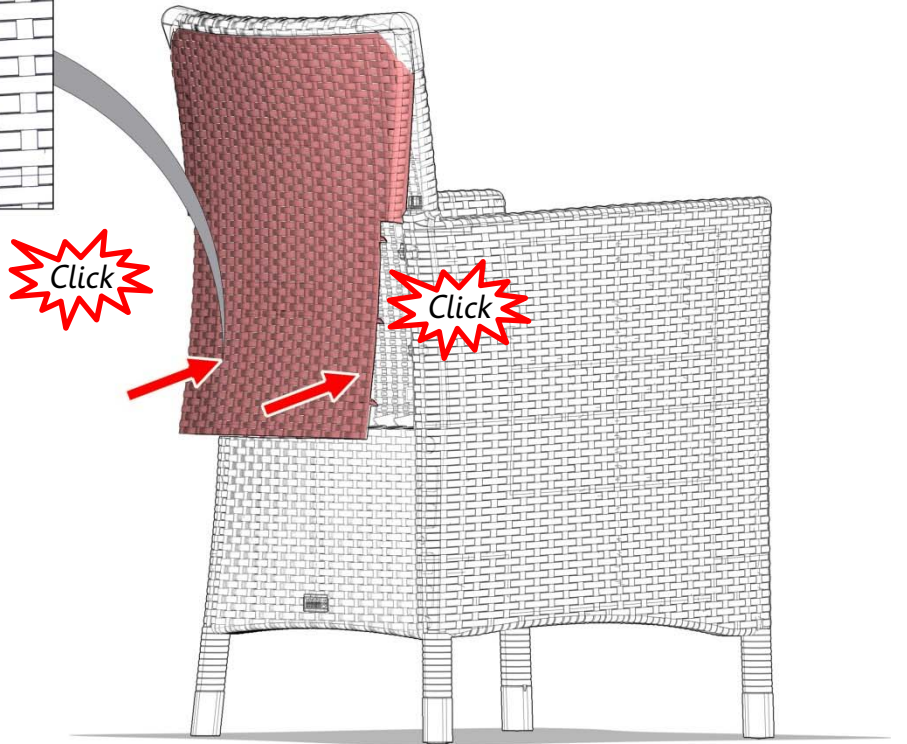
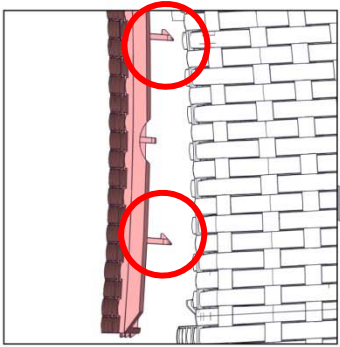


11 — 14





12



13

