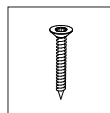


180 x 180 cm

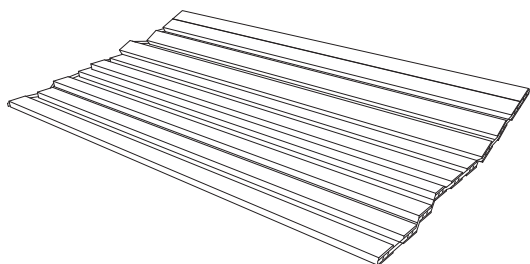
Art. 0900.488



66x (A) 4x45

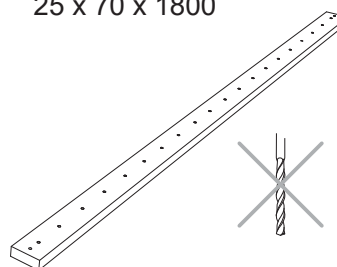
①

2x
1800 x 900

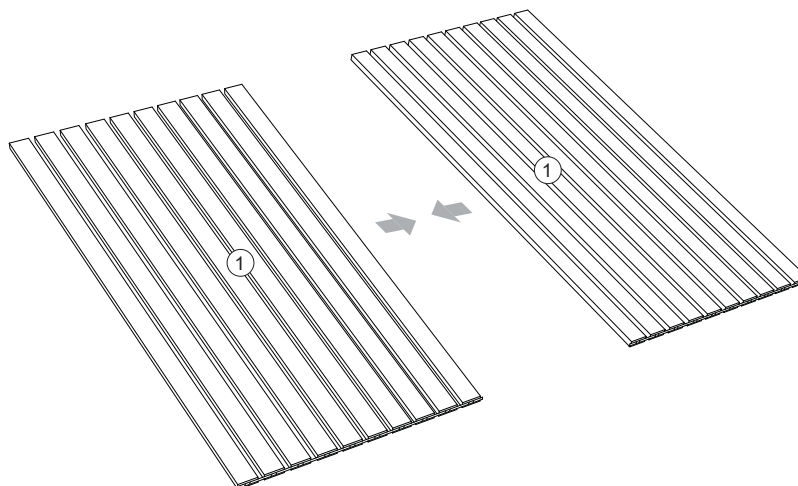


②

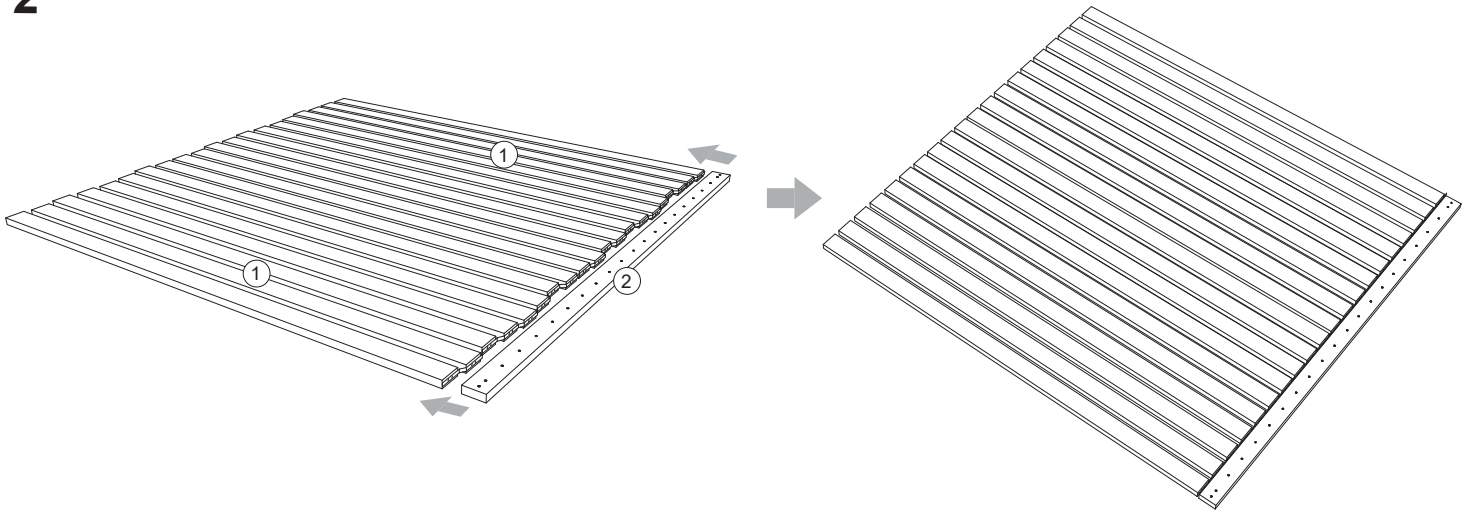
3x
25 x 70 x 1800



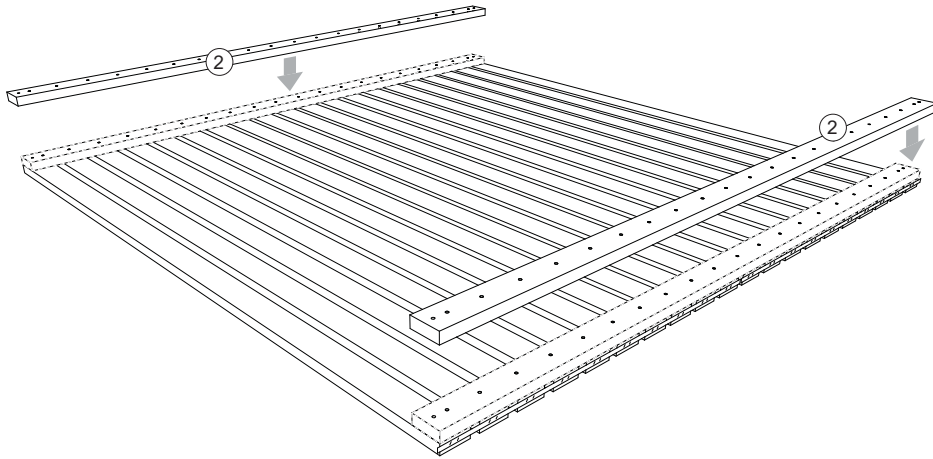
1



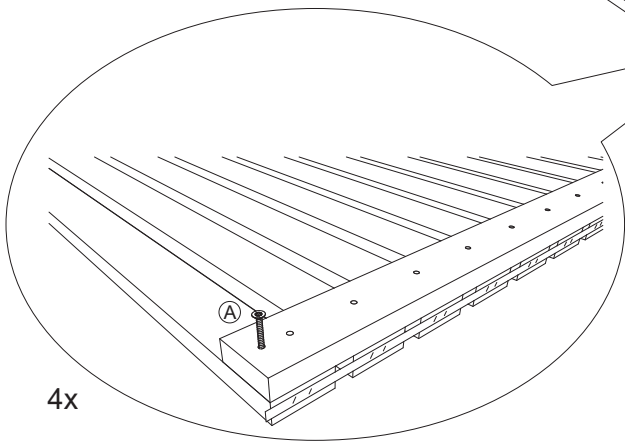
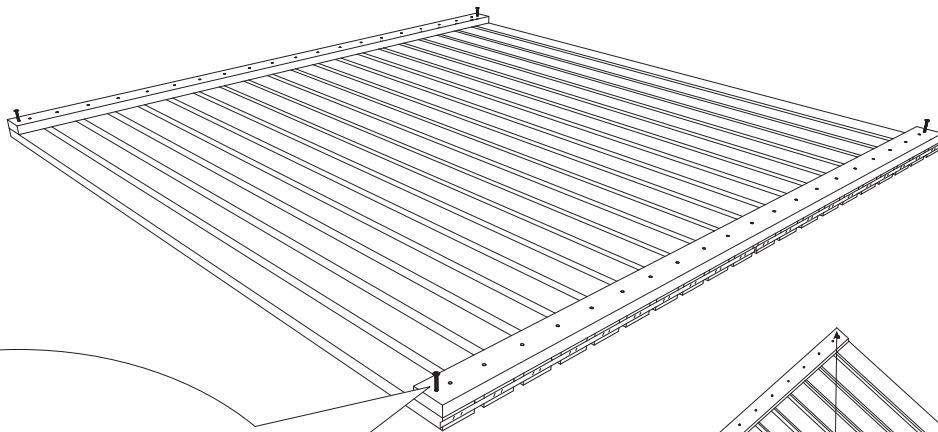
2



3

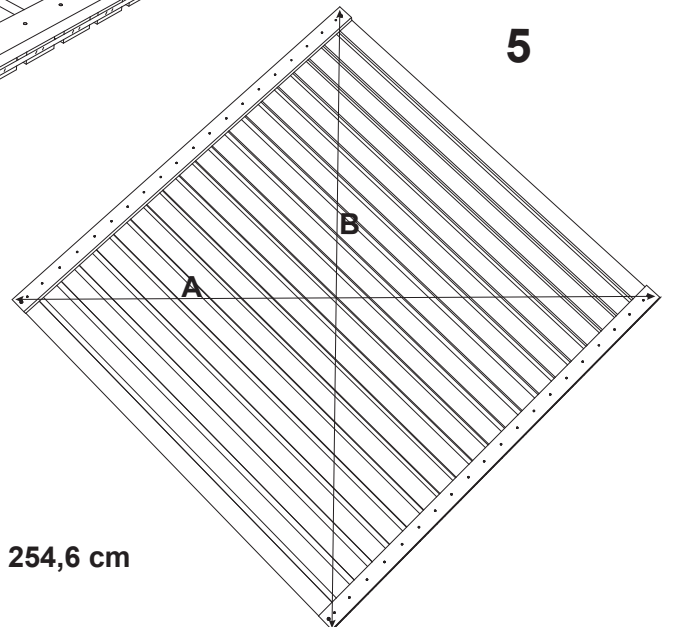


4



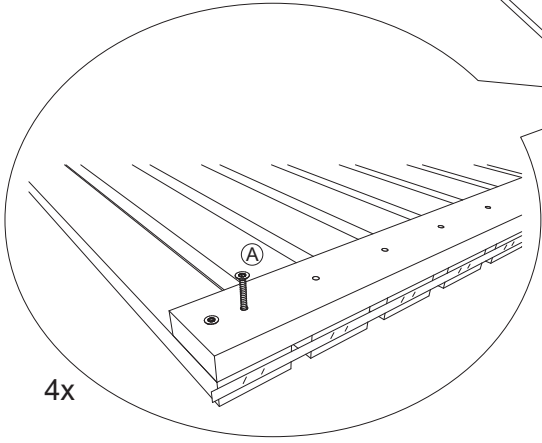
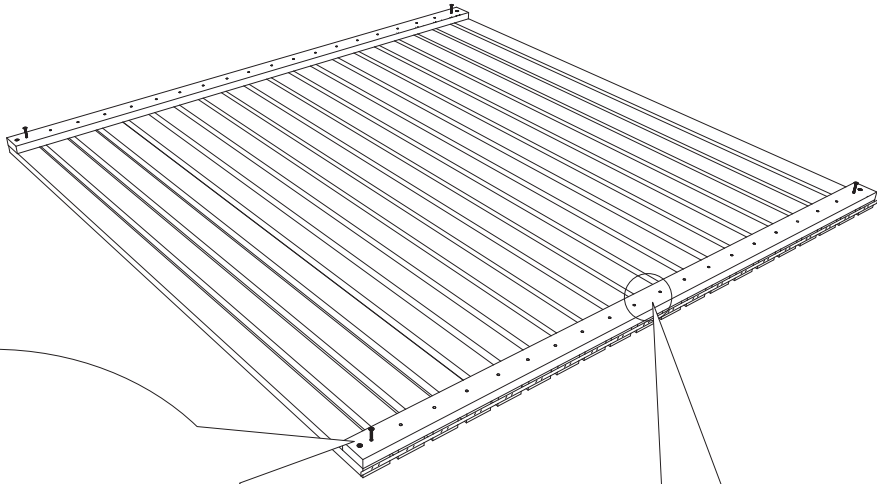
4x

5

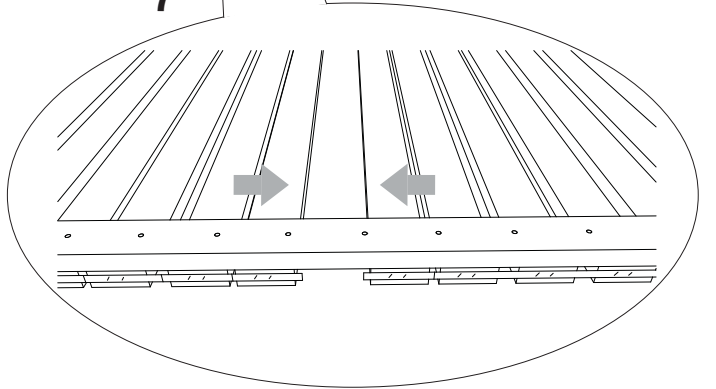


A = B = 254,6 cm

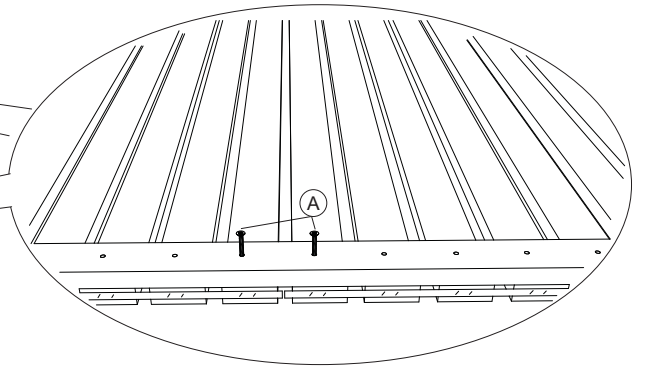
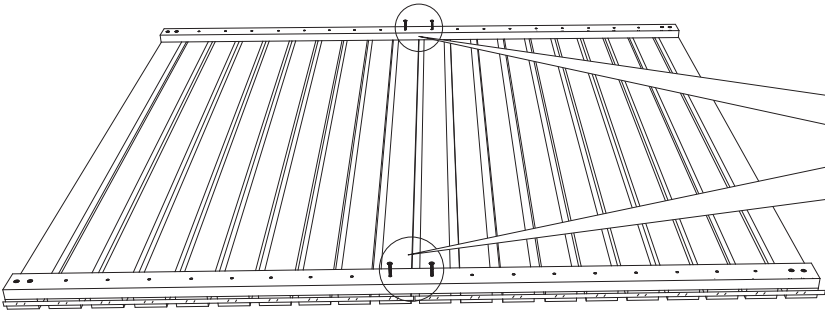
6



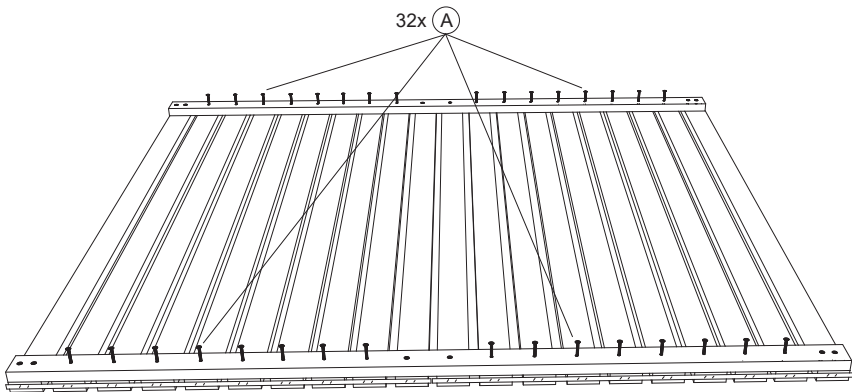
7



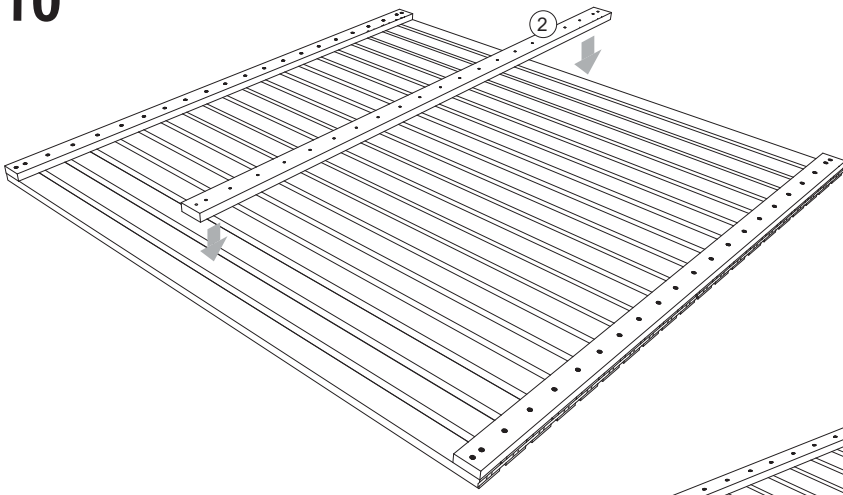
8



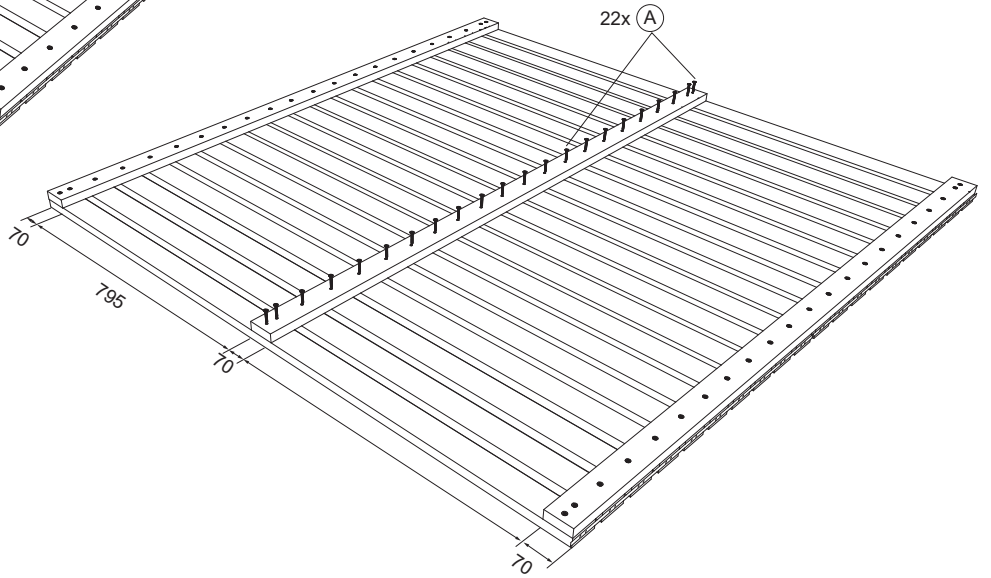
9



10



11



12

