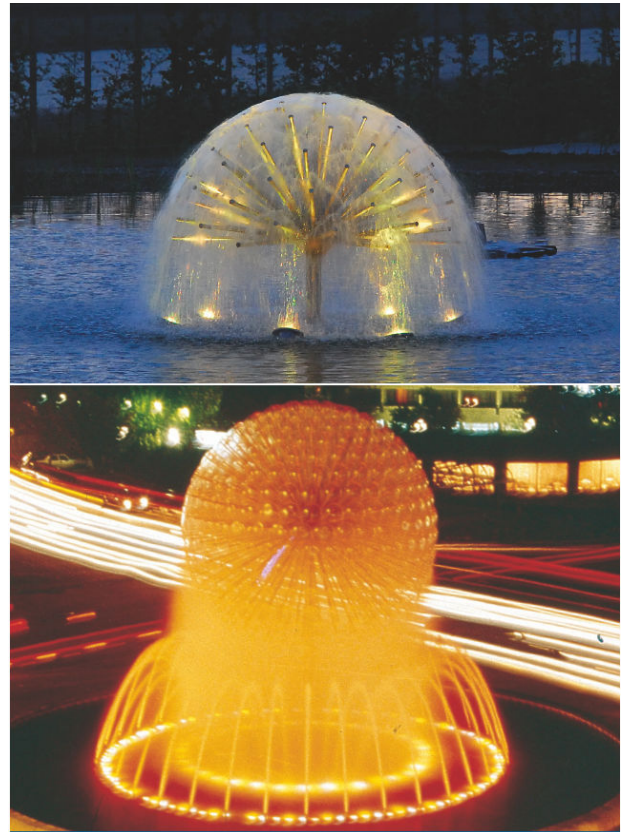
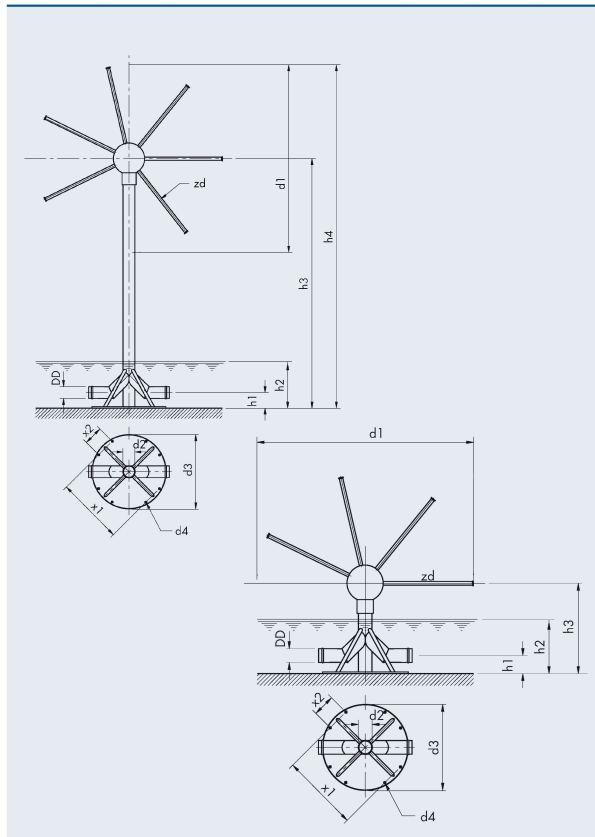


OASE GmbH
 Tecklenburger Straße 161
 D - 48477 Hörstel
 Phone: +49(0)54 54 – 800
 Fax: +49(0)54 54 – 80 322
 info@oase-livingwater.com
 www.oase-livingwater.com

Water Spheres

51762 / 51759



Product characteristics at a glance

- Poetic, surprising water pattern
- Decorative stainless steel sculpture
- Extensively wind-stable
- Water-level independent

Produkteigenschaften auf einen Blick

- Poetisches, verblüffendes Wasserbild
- Dekorative Edelstahlskulptur
- Weitgehend windstabil
- Wasserstandsunabhängig

	Water sphere	Water sphere
	2500 hemisphere	2500 sphere
Dimensions (øxH) [mm]	2500 x 1850	2500 x 3600
zd [pieces]	73	127
DWB [l/min.]	730	1270
DDB [bar]	1.1	1.2
MBD [mm]	3500	4500
DD [mm]	1x DN 65	2x DN 65
d1 [mm]	2500	2500
d2 [mm]	76	76
d3 [mm]	475	475
d4 [mm]	12	12
h1 [mm]	100	100
h2 [mm]	400	400
h3 [mm]	600	2350
h4 [mm]	1850	3600
x1 [mm]	430	430
x2 [mm]	123	123
Material	Stainless steel/tombac	
Weight [kg]	100	160
Order no.	51762	51759

	Wasserkugel	Wasserkugel
	2500 Halb	2500 Voll
Abmessungen (øxH) [mm]	2500 x 1850	2500 x 3600
zd [Stck.]	73	127
DWB [l/min.]	730	1270
DDB [bar]	1,1	1,2
MBD [mm]	3500	4500
DD [mm]	1x DN 65	2x DN 65
d1 [mm]	2500	2500
d2 [mm]	76	76
d3 [mm]	475	475
d4 [mm]	12	12
h1 [mm]	100	100
h2 [mm]	400	400
h3 [mm]	600	2350
h4 [mm]	1850	3600
x1 [mm]	430	430
x2 [mm]	123	123
Material	Edelstahl/Tombak	
Gewicht [kg]	100	160
Bestell-Nr.	51762	51759

The information contained in this data sheet is the sole property of OASE GmbH. Any reproduction in part or as a whole without the written permission of OASE GmbH is prohibited.