

SGFPE 1136 Small Greenhouse Frame and PE Cover

SGFMMC 1137 Small Greenhouse Frame and M/Mesh Cover

T-0208110 1/2

Conditions for Use

Please read carefully the explanations below to avoid any possible injuries and to get best use from this product.

- At the time of assembly, please refer to the user manual and follow the instructions.
- Please don't use the product anywhere you feel is dangerous and/or may disturb others.
- This is not a toy. Please don't use the product for any other purpose than the original intended use.
- Please don't make any changes to the product.
- Please don't put your fingers and/or hands between the gaps of frames.
- Please don't use the product in very windy places. It may collapse.
- Please don't use the product close to fire and/or high temperature. It may cause distortion and/or fire.
- Please don't drag the product when you'd like to move it. It may scratch the floor.
- The plastic cover is water-resistant but please don't put anything other than water into the structure.
- Please gently open and close the zips. If you use too much force, it may break.
- This greenhouse itself will not generate any heat and warm up the plants inside. The temperature will change according to the outside environment.
- Please don't use the greenhouse when there is heavy snow. When you see snow settled on the greenhouse, please remove the snow.
- Please don't let your children play with the cover to avoid danger of suffocation.

Please Note

- This product is for standard home use. Please don't use it in public and commercial spaces.
- This product may get rusty and/or the colour may fade and/or the material may deteriorate.
- Due to UV rays, the colour of the cover may change.
- The frame is coated but the surface coating colour may fade and/or the material may deteriorate. This may happen much sooner when you use the product close to the sea or places with heavy traffic. The frame will also get rusty from small scratches and/or joint areas.
- The expected lifetime of the cover is approx. 1-2 seasons.
- The use of this product does not guarantee plant growth.
- Depending on the environment and kind of plants, the greenhouse may not function. Please ask your nearby home centre and/or garden centre for further advice.

Cleaning

- When you clean the product, please use a soft dry cloth.
- When it's very dirty, please use a diluted neutral detergent.

Maintenance

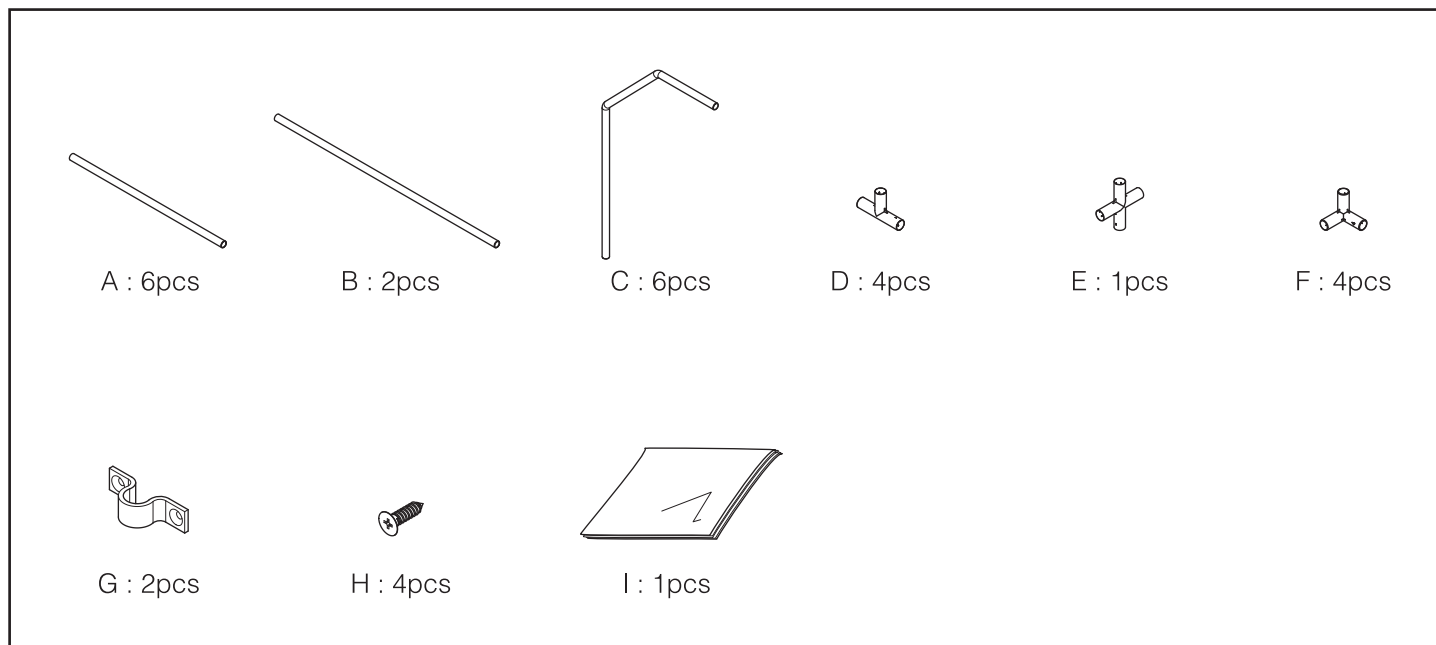
- Please check the joints to make sure they have not become loose.
- The frame is painted but please repaint when you find even a small scratch.
- When you paint, please do so in an open space and follow the paint manufacturer's instructions.
- Please clean off any dirt before you paint.
- In order to use the product for a longer period, we'd recommend that you remove the cover and store when not in use.

Helpful information

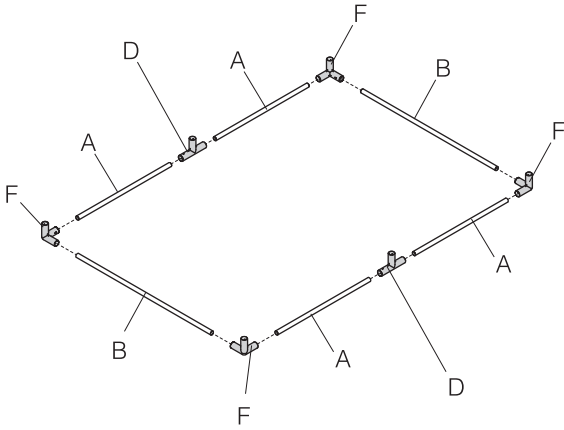
- Choose a sheltered position for your Vegtrug Greenhouse.
- Good light is needed for plants but not direct fierce sunlight.
- The greenhouse may get very hot - we recommend regular watering and ventilation to aid plant growth.

Products designed for use with Vegtrugs:

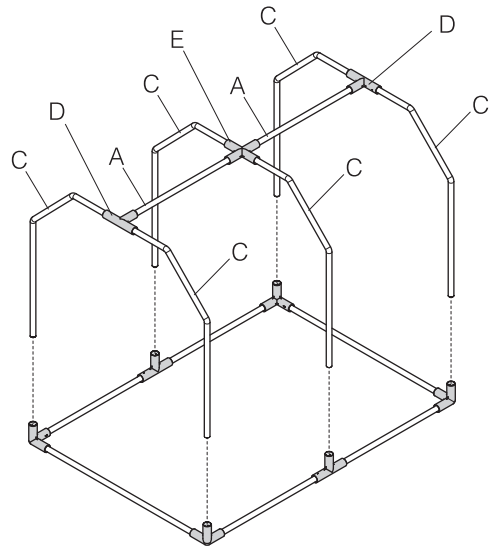
Greenhouse cover
Insect protection cover
Fleece cover



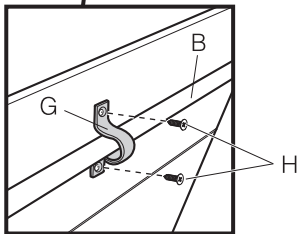
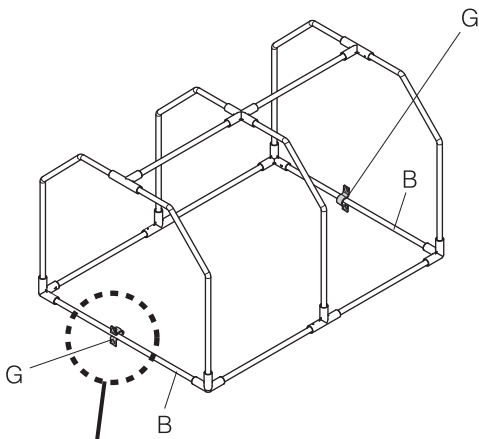
1



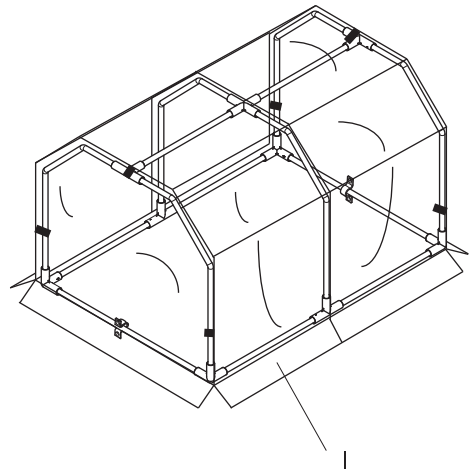
2



3



4



Cover for this frame is included in box and should be secured to frame using the velcro tabs.

LGFPE 1140
LGFMMC 1141
MGFPE1144
MGFMMC1145

Large Greenhouse Frame and PE Cover
Large Greenhouse Frame and M/Mesh Cover
Medium Greenhouse Frame and PE Cover
Medium Greenhouse Frame and M/Mesh Cover

Conditions for Use

Please read carefully the explanations below to avoid any possible injuries and to get best use from this product.

- At the time of assembly, please refer to the user manual and follow the instructions.
- Please don't use the product anywhere you feel is dangerous and/or may disturb others.
- This is not a toy. Please don't use the product for any other purpose than the original intended use.
- Please don't make any changes to the product.
- Please don't put your fingers and/or hands between the gaps of frames.
- Please don't use the product in very windy places. It may collapse.
- Please don't use the product close to fire and/or high temperature. It may cause distortion and/or fire.
- Please don't drag the product when you'd like to move it. It may scratch the floor.
- The plastic cover is water-resistant but please don't put anything other than water into the structure.
- Please gently open and close the zips. If you use too much force, it may break.
- This greenhouse itself will not generate any heat and warm up the plants inside. The temperature will change according to the outside environment.
- Please don't use the greenhouse when there is heavy snow. When you see snow settled on the greenhouse, please remove the snow.
- Please don't let your children play with the cover to avoid danger of suffocation.

Please Note

- This product is for standard home use. Please don't use it in public and commercial spaces.
- This product may get rusty and/or the colour may fade and/or the material may deteriorate.
- Due to UV rays, the colour of the cover may change.
- The frame is coated but the surface coating colour may fade and/or the material may deteriorate. This may happen much sooner when you use the product close to the sea or places with heavy traffic. The frame will also get rusty from small scratches and/or joint areas.
- The expected lifetime of the cover is approx. 1-2 seasons.
- The use of this product does not guarantee plant growth.
- Depending on the environment and kind of plants, the greenhouse may not function. Please ask your nearby home centre and/or garden centre for further advice.

Cleaning

- When you clean the product, please use a soft dry cloth.
- When it's very dirty, please use a diluted neutral detergent.

Maintenance

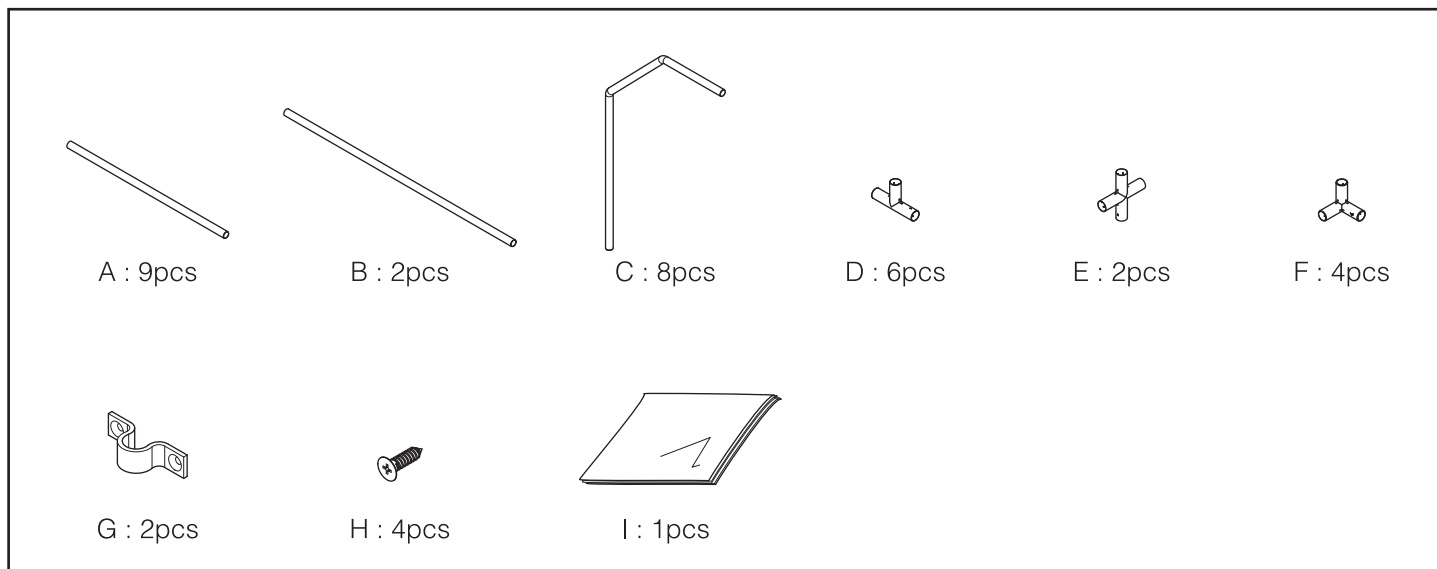
- Please check the joints to make sure they have not become loose.
- The frame is painted but please repaint when you find even a small scratch.
- When you paint, please do so in an open space and follow the paint manufacturer's instructions.
- Please clean off any dirt before you paint.
- In order to use the product for a longer period, we'd recommend that you remove the cover and store when not in use.

Helpful information

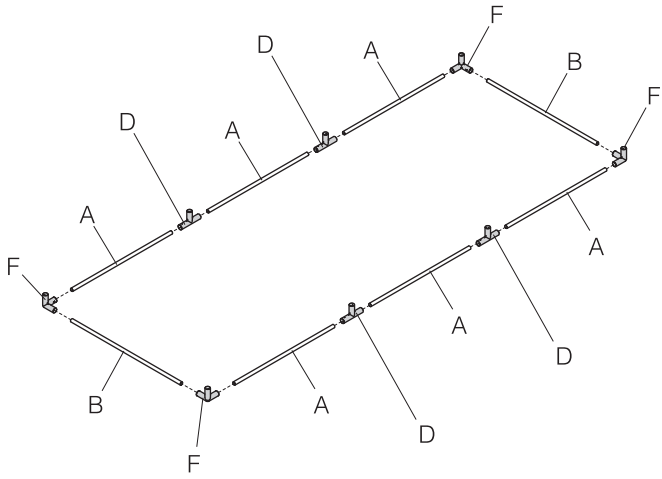
- Choose a sheltered position for your Vegtrug Greenhouse.
- Good light is needed for plants but not direct fierce sunlight.
- The greenhouse may get very hot - we recommend regular watering and ventilation to aid plant growth.

Products designed for use with Vegtrugs:

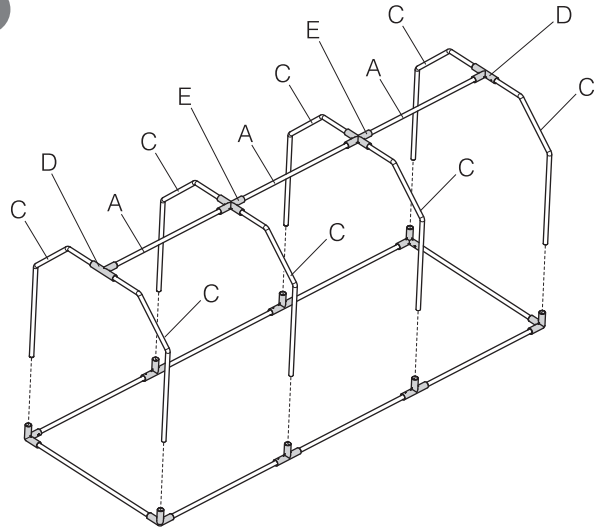
Greenhouse cover
Insect protection cover
Fleece cover



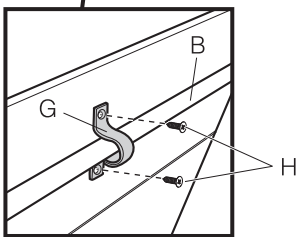
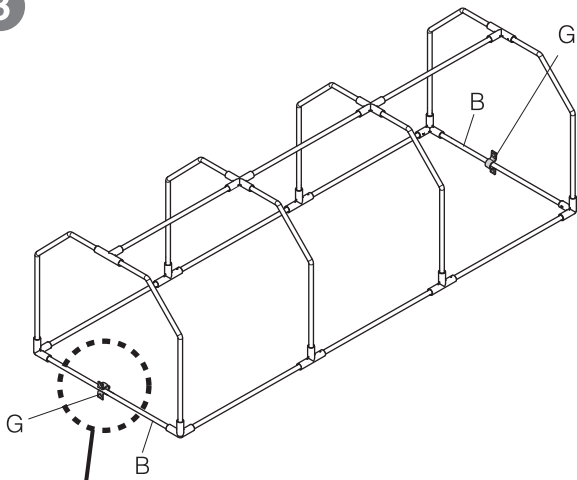
1



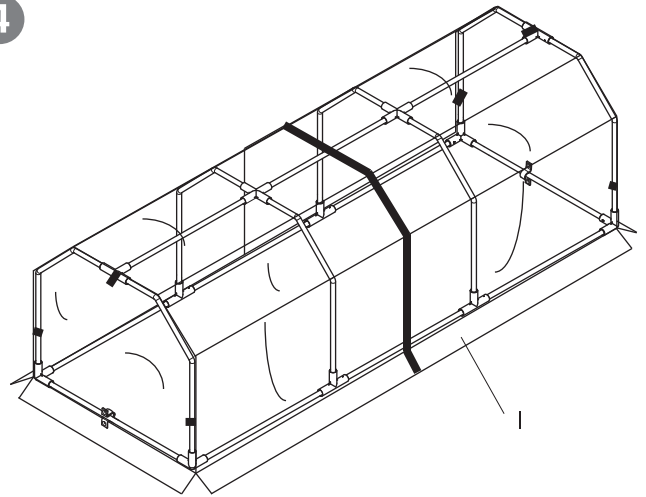
2



3



4



Cover for this frame is included in box and should be secured to frame using the velcro tabs.